

GENERAL NOTES

- ALL DIMENSIONS ARE IN MILLIMETERS UNLESS NOTED OTHERWISE
- ALL DIMENSIONS ARE SUBJECT TO VERIFICATION ON JOB SITE AND ADJUSTMENT TO FIT JOB CONDITIONS
- THIS IS AN ORIGINAL DESIGN AND MUST NOT BE RELEASED OR COPIED UNLESS APPLICABLE FEE HAS BEEN PAID OR JOB ORDER PLACED

© THE MAIN COMPANY (YORK) LTD

NOTES

- NOT FOR MANUFACTURE
- DESIGN INTENT ONLY

## NEW F&P KITCHEN

PROJECT

GF.01-KITCHEN

TITLE

THE MAIN COMPANY

DESIGN FOR

LAUREN STRONG

DRAWN BY

1:25 @A3

SCALE

B 12.06.2024

REVISION

THE MAIN COMPANY (YORK) LTD

YO26 8BQ | 01423 330 451

sales@maincompany.com



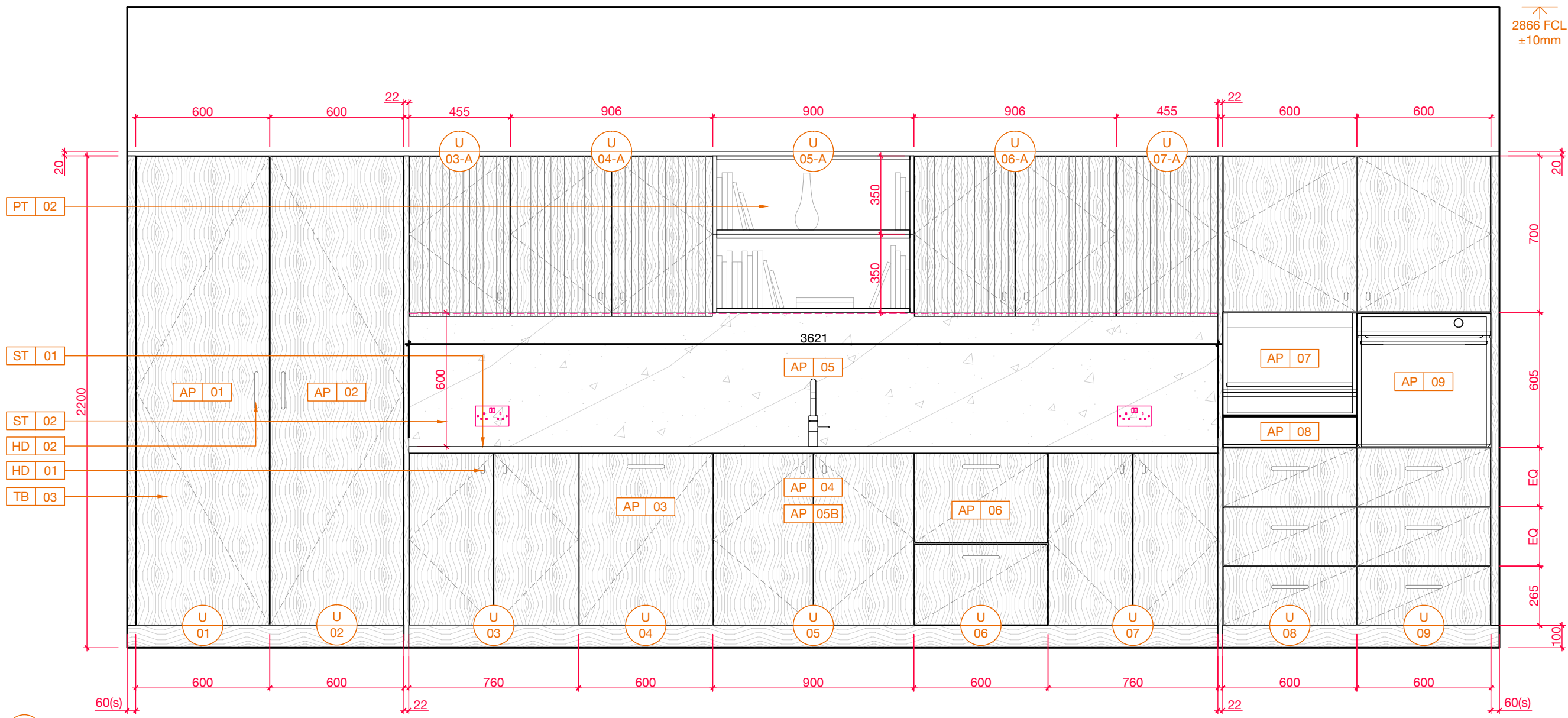
GENERAL NOTES

- ALL DIMENSIONS ARE IN MILLIMETERS UNLESS NOTED OTHERWISE
- ALL DIMENSIONS ARE SUBJECT TO VERIFICATION ON JOB SITE AND ADJUSTMENT TO FIT JOB CONDITIONS
- THIS IS AN ORIGINAL DESIGN AND MUST NOT BE RELEASED OR COPIED UNLESS APPLICABLE FEE HAS BEEN PAID OR JOB ORDER PLACED

© THE MAIN COMPANY (YORK) LTD

NOTES

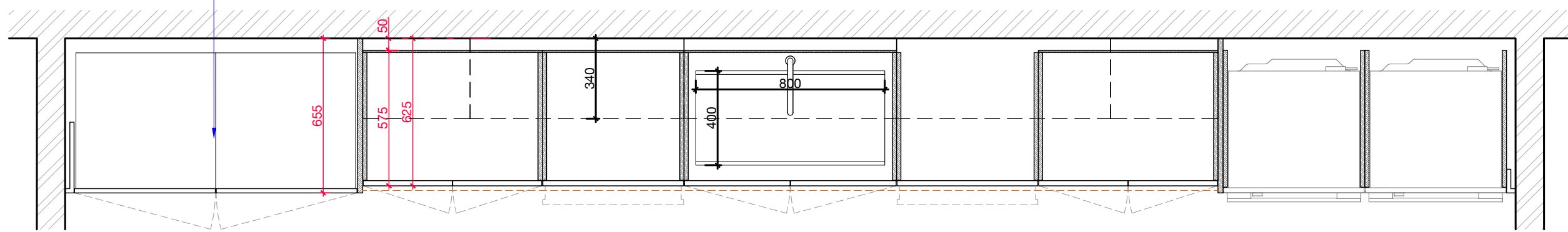
- NOT FOR MANUFACTURE
- DESIGN INTENT ONLY



2866 FCL  
±10mm

A ELEVATION  
EXTERNAL

FRIDGE & FREEZER TO BE FIXED TOGETHER FOR SUPPORT



## NEW F&P KITCHEN

PROJECT  
GF.01-KITCHEN  
TITLE

THE MAIN COMPANY  
DESIGN FOR  
LAUREN STRONG  
DRAWN BY

1:20 @A3  
SCALE

B 12.06.2024  
REVISION

THE MAIN COMPANY (YORK) LTD  
YO26 8BQ | 01423 330 451  
sales@maincompany.com



GENERAL NOTES

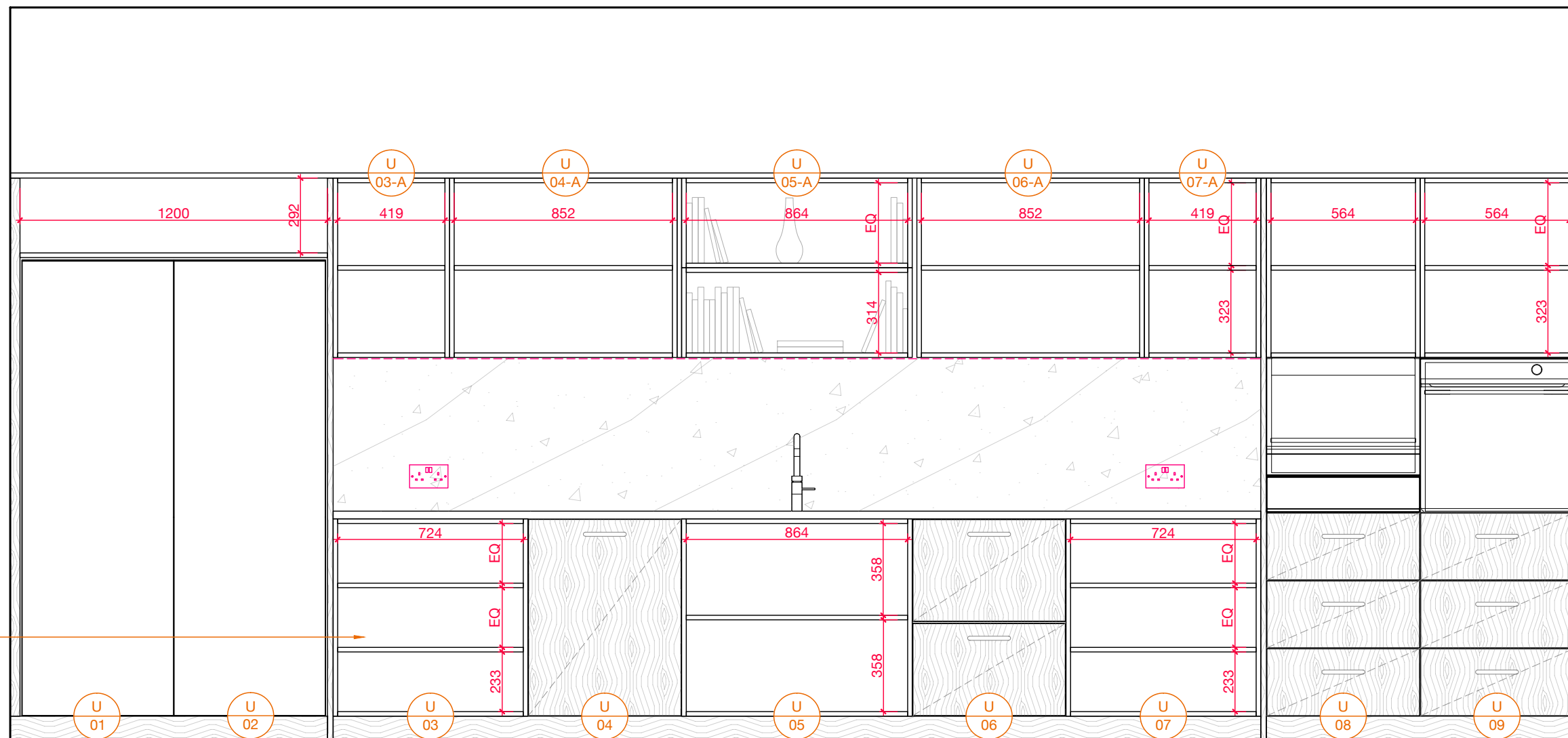
- ALL DIMENSIONS ARE IN MILLIMETERS UNLESS NOTED OTHERWISE
- ALL DIMENSIONS ARE SUBJECT TO VERIFICATION ON JOB SITE AND ADJUSTMENT TO FIT JOB CONDITIONS
- THIS IS AN ORIGINAL DESIGN AND MUST NOT BE RELEASED OR COPIED UNLESS APPLICABLE FEE HAS BEEN PAID OR JOB ORDER PLACED

© THE MAIN COMPANY (YORK) LTD

NOTES

- NOT FOR MANUFACTURE
- DESIGN INTENT ONLY

↑ 2866 FCL  
±10mm



TB 01

A ELEVATION  
INTERNAL

## NEW F&P KITCHEN

PROJECT

GF.01-KITCHEN

TITLE

THE MAIN COMPANY

DESIGN FOR

LAUREN STRONG

DRAWN BY

1:20 @A3

SCALE

B 12.06.2024

REVISION

THE MAIN COMPANY  
(YORK) LTD

YO26 8BQ | 01423 330 451  
sales@maincompany.com



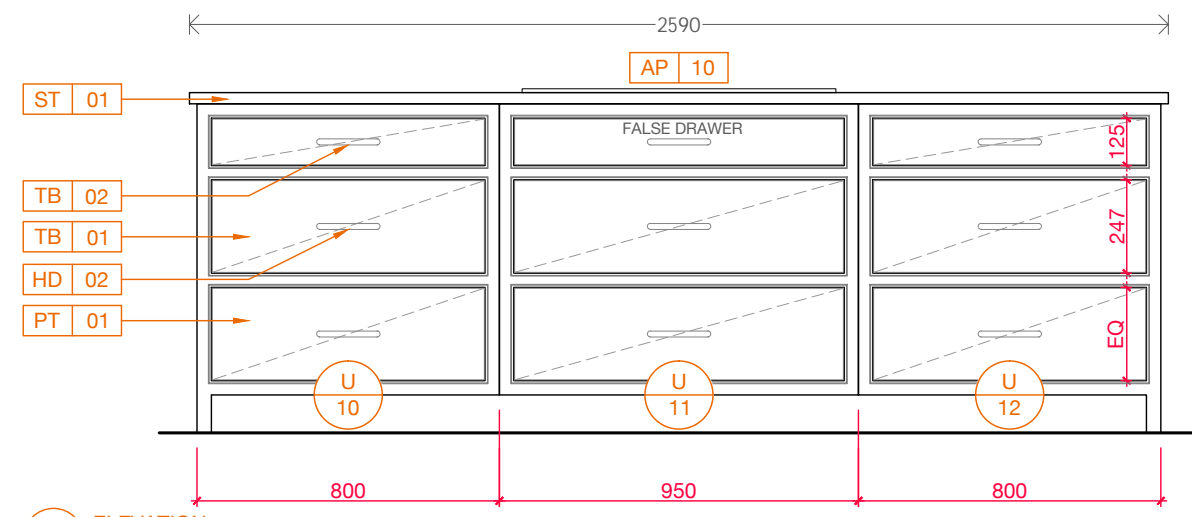
GENERAL NOTES

- ALL DIMENSIONS ARE IN MILLIMETERS UNLESS NOTED OTHERWISE
- ALL DIMENSIONS ARE SUBJECT TO VERIFICATION ON JOB SITE AND ADJUSTMENT TO FIT JOB CONDITIONS
- THIS IS AN ORIGINAL DESIGN AND MUST NOT BE RELEASED OR COPIED UNLESS APPLICABLE FEE HAS BEEN PAID OR JOB ORDER PLACED

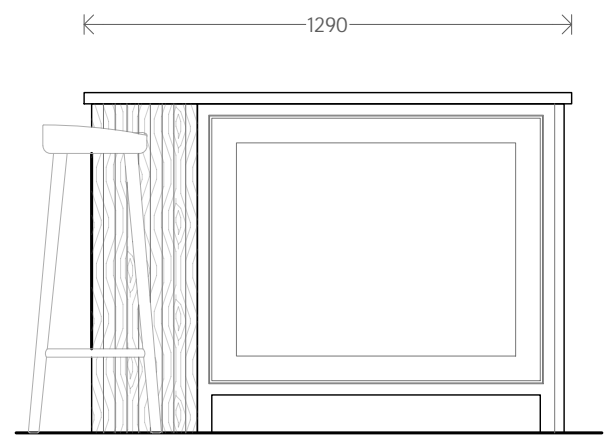
© THE MAIN COMPANY (YORK) LTD

NOTES

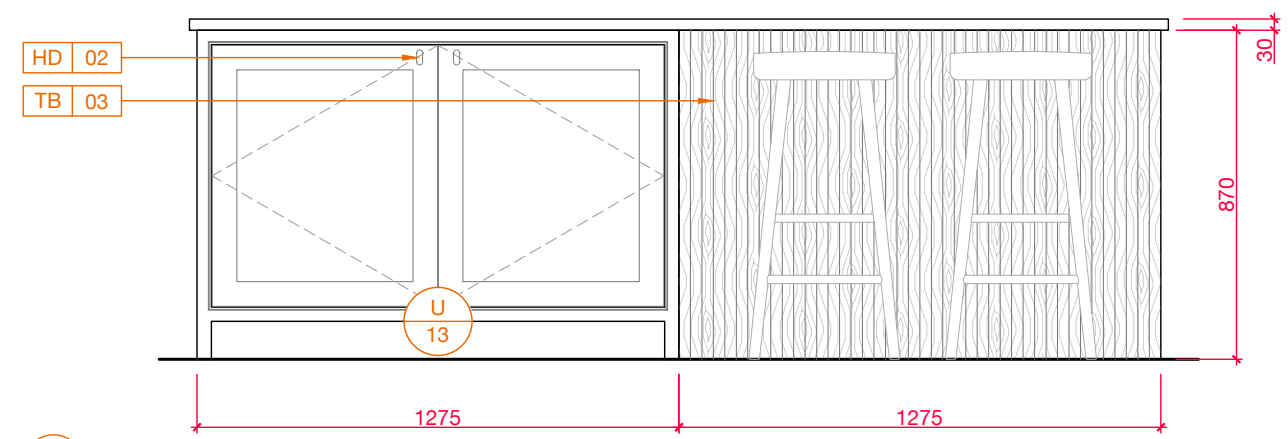
- NOT FOR MANUFACTURE
- DESIGN INTENT ONLY



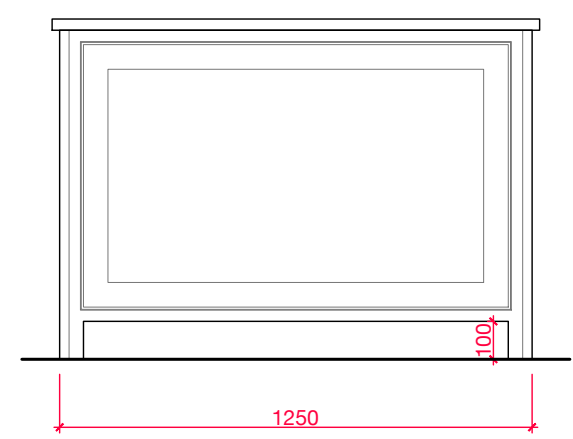
**B** ELEVATION  
EXTERNAL



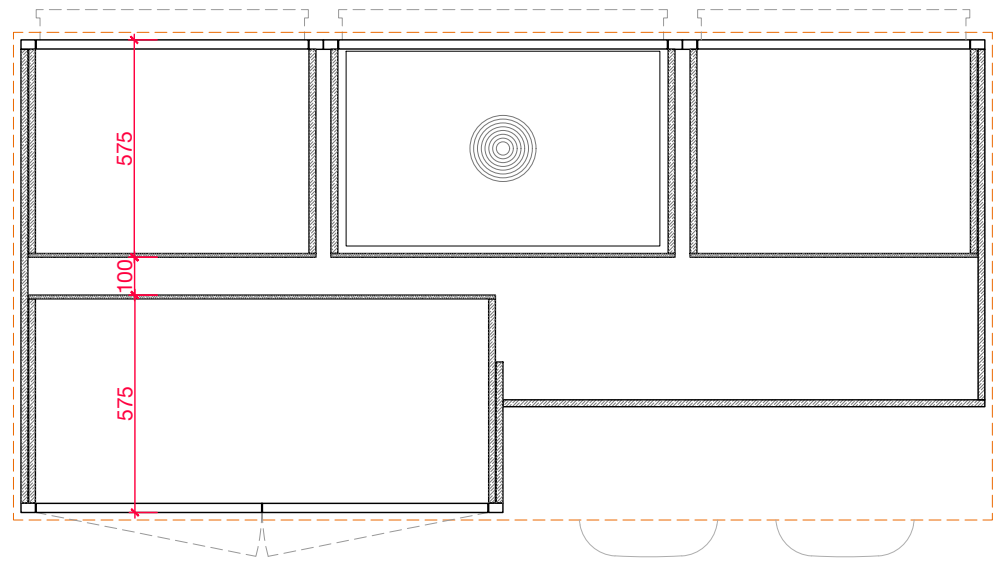
**C** ELEVATION  
EXTERNAL



**D** ELEVATION  
EXTERNAL



**E** ELEVATION  
EXTERNAL



**NEW F&P KITCHEN**

PROJECT

GF.01-KITCHEN  
TITLE

THE MAIN COMPANY  
DESIGN FOR

LAUREN STRONG  
DRAWN BY

1:20 @A3  
SCALE

**B** 12.06.2024  
REVISION

THE MAIN COMPANY  
(YORK) LTD  
YO26 8BQ | 01423 330 451  
sales@maincompany.com

