

GENERAL NOTES

- ALL DIMENSIONS ARE IN MILLIMETERS UNLESS NOTED OTHERWISE
- ALL DIMENSIONS ARE SUBJECT TO VERIFICATION ON JOB SITE AND ADJUSTMENT TO FIT JOB CONDITIONS
- THIS IS AN ORIGINAL DESIGN AND MUST NOT BE RELEASED OR COPIED UNLESS APPLICABLE FEE HAS BEEN PAID OR JOB ORDER PLACED

© THE MAIN COMPANY (YORK) LTD

NOTES

- NOT FOR MANUFACTURE
- DESIGN INTENT ONLY

**YORKSHIRE SHOWROOM**

PROJECT

**ROUND KITCHEN REPLACE**

TITLE

MAIN CO  
DESIGN FOR

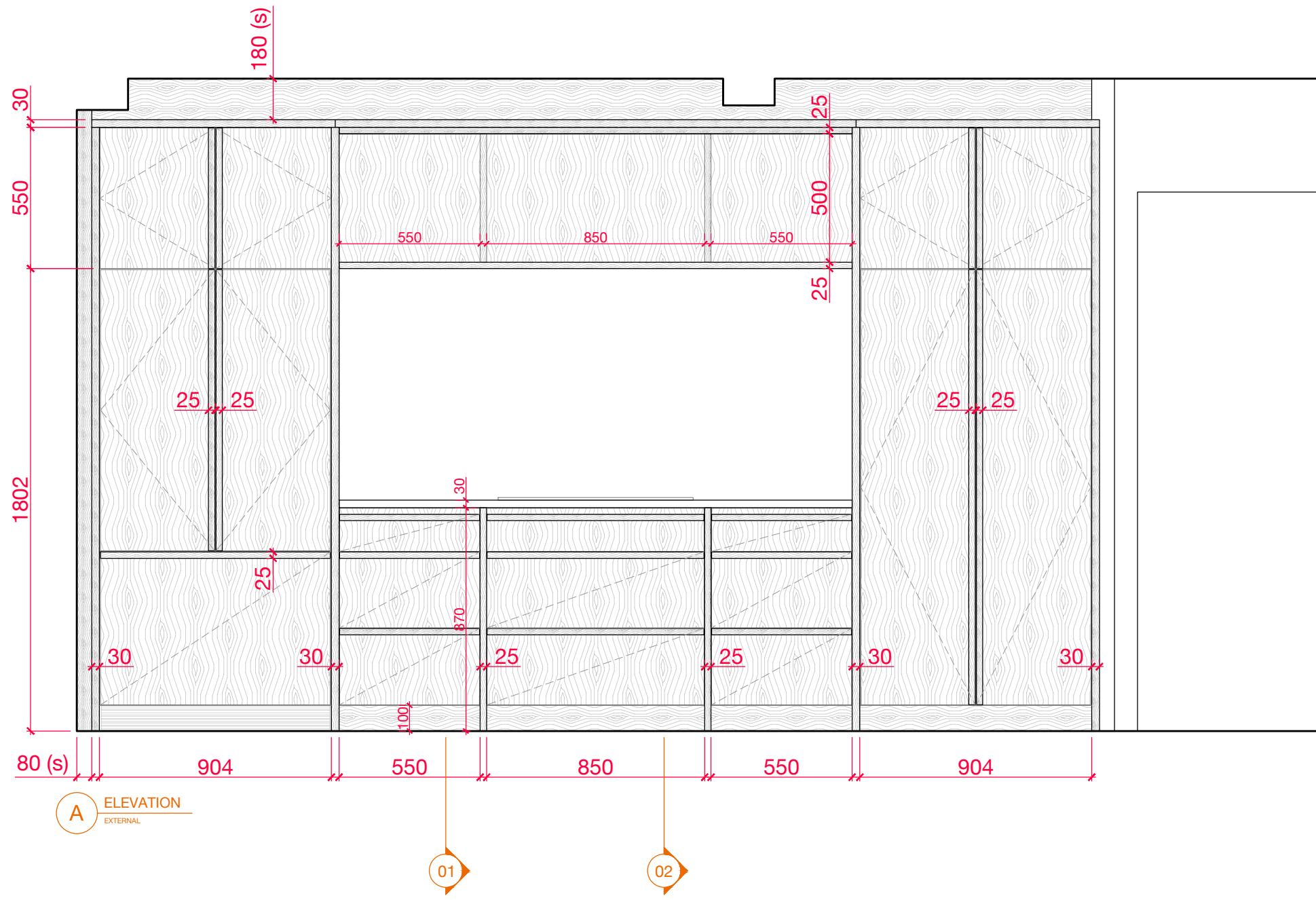
TIAGO CARVALHO  
DRAWN BY

1:25 @A3  
SCALE

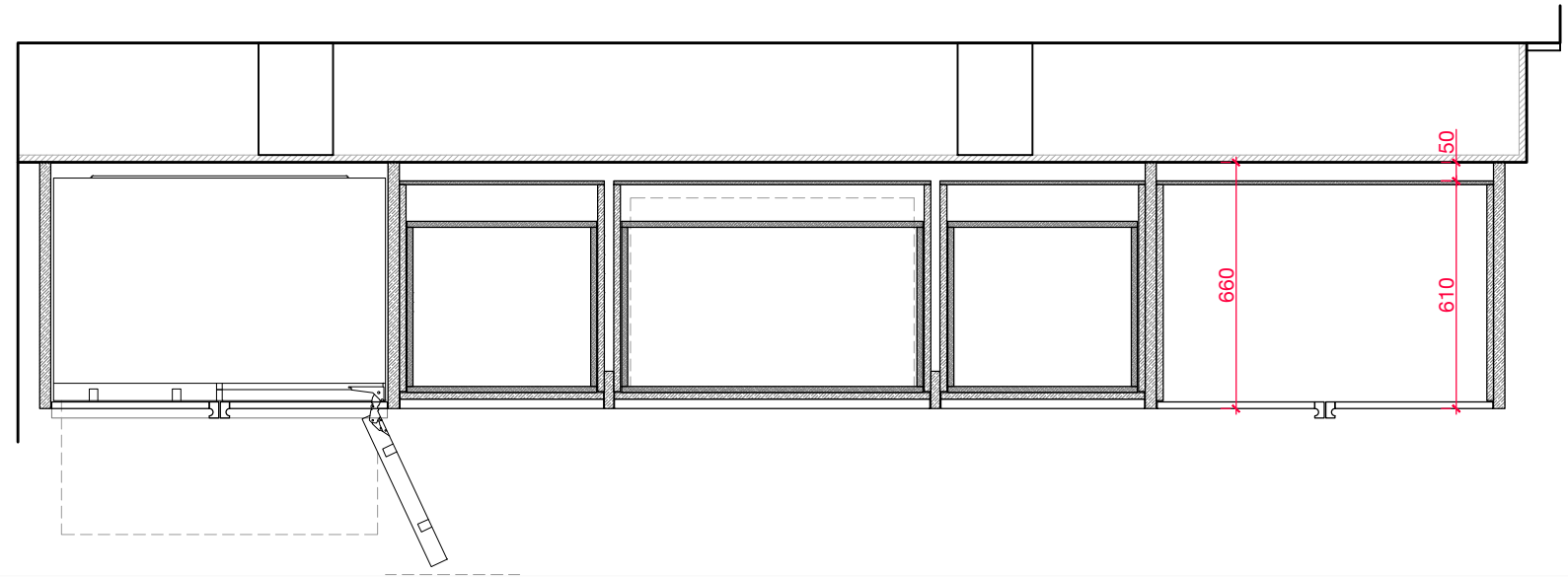
A 13.06.2024  
REVISION

THE MAIN COMPANY (YORK) LTD  
YO26 8BQ | 01423 330 451  
sales@maincompany.com





**A** ELEVATION  
EXTERNAL



**GENERAL NOTES**

- ALL DIMENSIONS ARE IN MILLIMETERS UNLESS NOTED OTHERWISE
- ALL DIMENSIONS ARE SUBJECT TO VERIFICATION ON JOB SITE AND ADJUSTMENT TO FIT JOB CONDITIONS
- THIS IS AN ORIGINAL DESIGN AND MUST NOT BE RELEASED OR COPIED UNLESS APPLICABLE FEE HAS BEEN PAID OR JOB ORDER PLACED

© THE MAIN COMPANY (YORK) LTD

**NOTES**

- NOT FOR MANUFACTURE
- DESIGN INTENT ONLY

**YORKSHIRE SHOWROOM**

PROJECT  
**ROUND KITCHEN REPLACE**  
TITLE

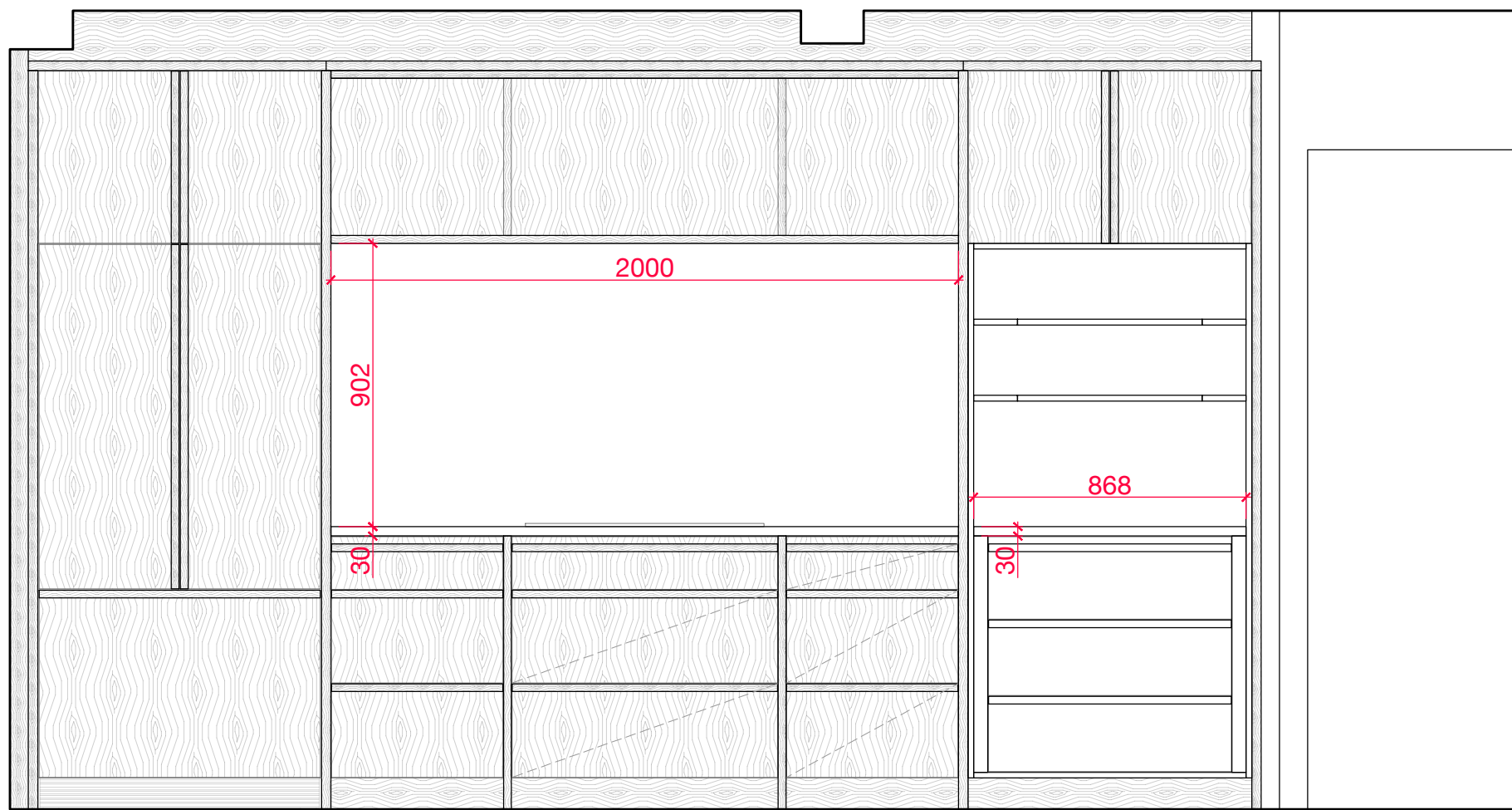
MAIN CO  
DESIGN FOR  
**TIAGO CARVALHO**  
DRAWN BY

**1:20** @A3  
SCALE

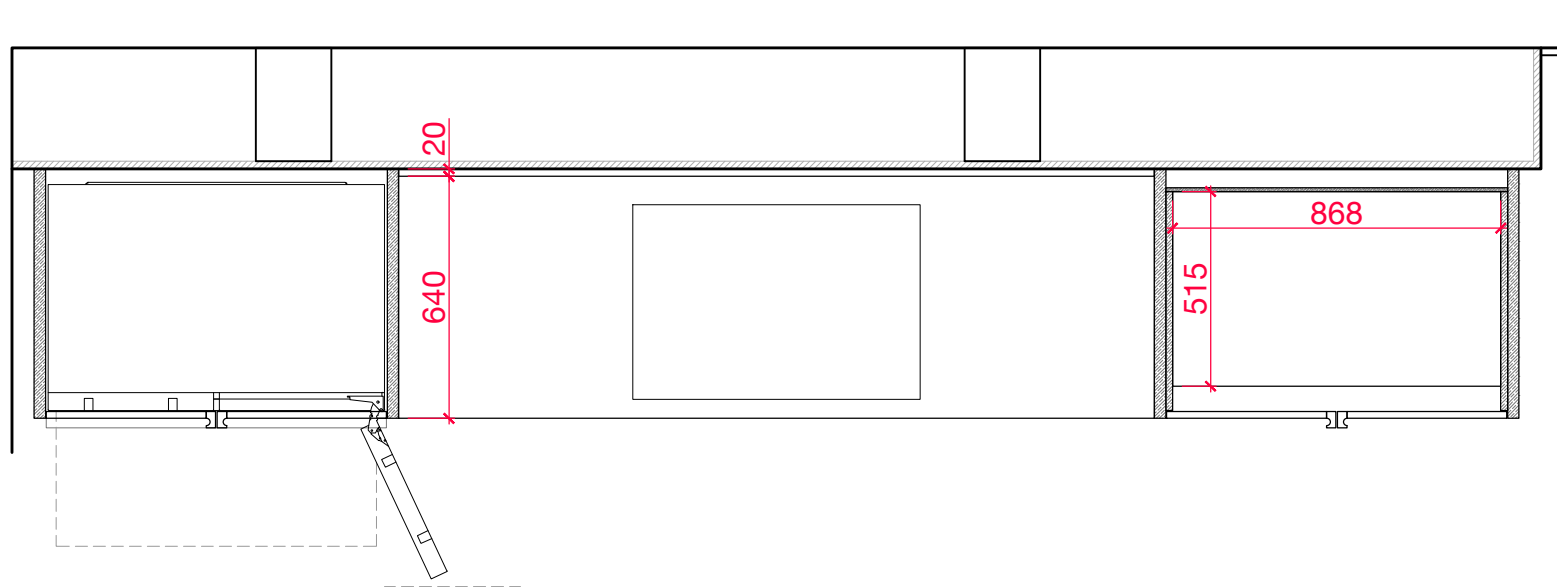
**A** 28.01.2022  
REVISION

THE MAIN COMPANY (YORK) LTD  
YO26 8BQ | 01423 330 451  
sales@maincompany.com





**A** ELEVATION  
EXTERNAL



GENERAL NOTES  
 • ALL DIMENSIONS ARE IN MILLIMETERS UNLESS NOTED OTHERWISE  
 • ALL DIMENSIONS ARE SUBJECT TO VERIFICATION ON JOB SITE AND ADJUSTMENT TO FIT JOB CONDITIONS  
 • THIS IS AN ORIGINAL DESIGN AND MUST NOT BE RELEASED OR COPIED UNLESS APPLICABLE FEE HAS BEEN PAID OR JOB ORDER PLACED  
 © THE MAIN COMPANY (YORK) LTD

NOTES  
 - NOT FOR MANUFACTURE  
 - DESIGN INTENT ONLY

**YORKSHIRE SHOWROOM**

PROJECT

**ROUND KITCHEN REPLACE**

TITLE

MAIN CO  
 DESIGN FOR

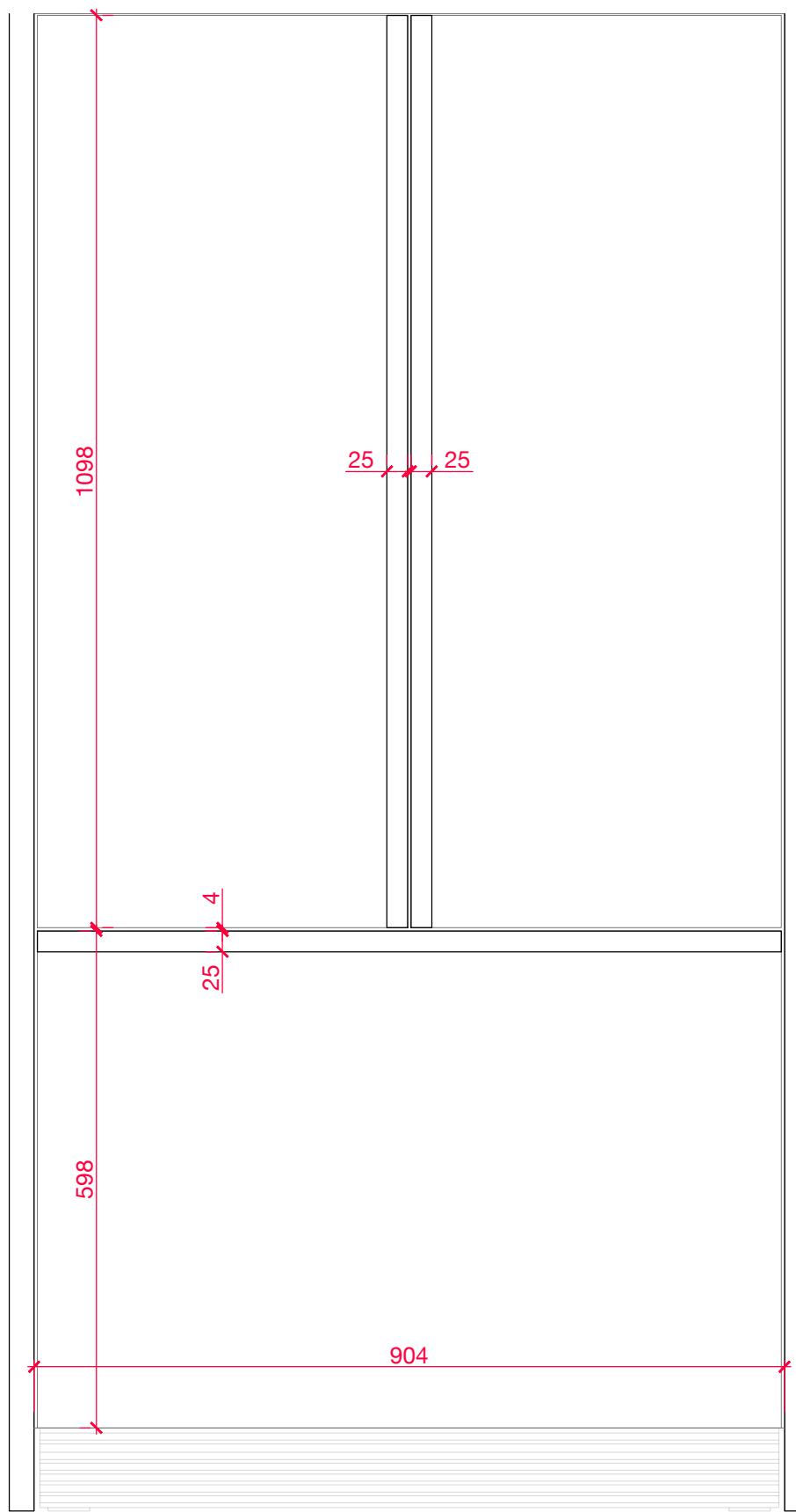
TIAGO CARVALHO  
 DRAWN BY

1:20 @A3  
 SCALE

**A** 28.01.2022  
 REVISION

THE MAIN COMPANY (YORK) LTD  
 YO26 8BQ | 01423 330 451  
 sales@maincompany.com





GENERAL NOTES

- ALL DIMENSIONS ARE IN MILLIMETERS UNLESS NOTED OTHERWISE
- ALL DIMENSIONS ARE SUBJECT TO VERIFICATION ON JOB SITE AND ADJUSTMENT TO FIT JOB CONDITIONS
- THIS IS AN ORIGINAL DESIGN AND MUST NOT BE RELEASED OR COPIED UNLESS APPLICABLE FEE HAS BEEN PAID OR JOB ORDER PLACED

© THE MAIN COMPANY (YORK) LTD

NOTES

- NOT FOR MANUFACTURE
- DESIGN INTENT ONLY

**YORKSHIRE SHOWROOM**

PROJECT

**ROUND KITCHEN REPLACE**

TITLE

MAIN CO  
DESIGN FOR

TIAGO CARVALHO  
DRAWN BY

1:8 @A3  
SCALE

A 28.01.2022  
REVISION

THE MAIN COMPANY (YORK) LTD  
YO26 8BQ | 01423 330 451  
sales@maincompany.com



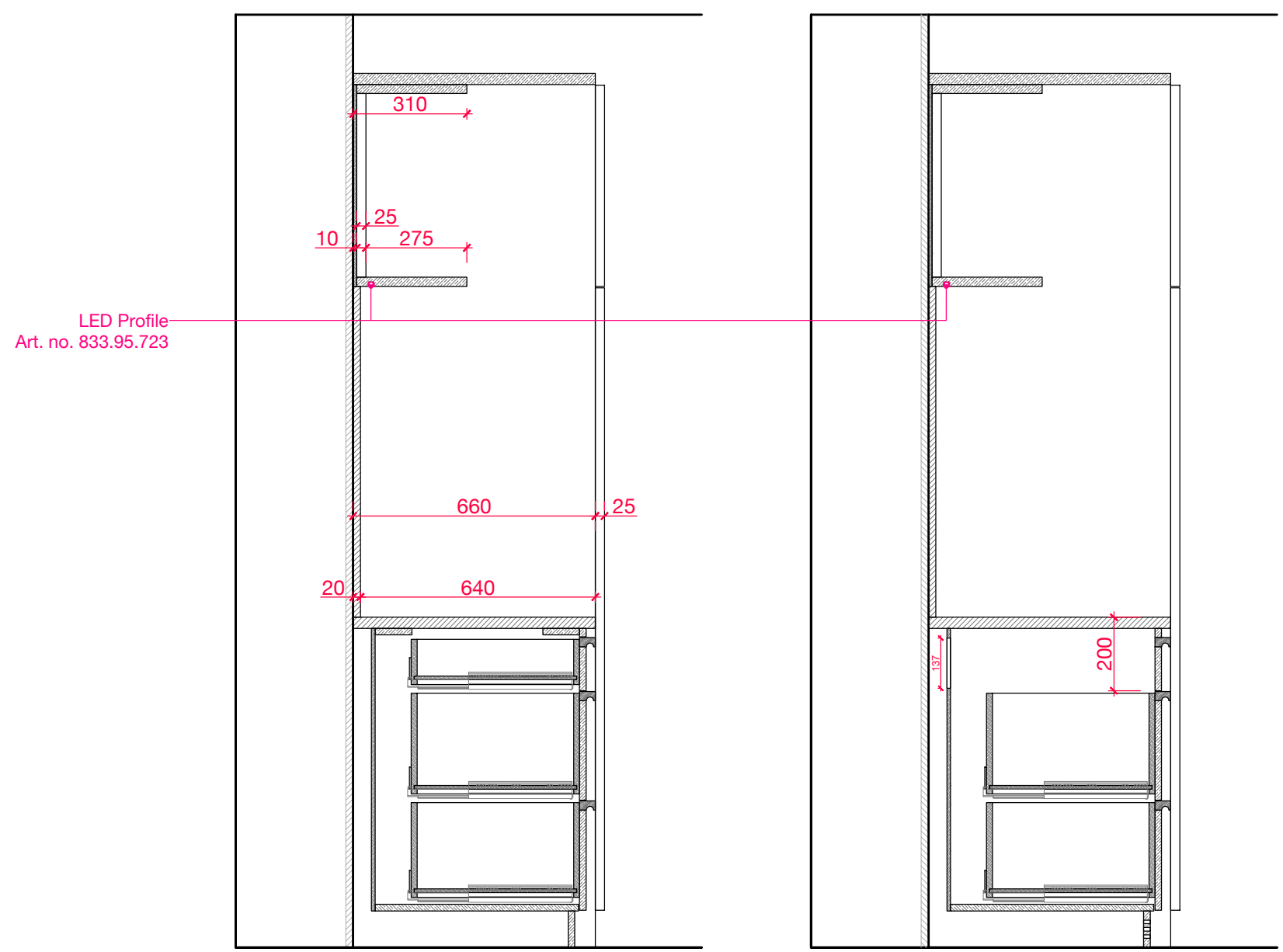
GENERAL NOTES

- ALL DIMENSIONS ARE IN MILLIMETERS UNLESS NOTED OTHERWISE
- ALL DIMENSIONS ARE SUBJECT TO VERIFICATION ON JOB SITE AND ADJUSTMENT TO FIT JOB CONDITIONS
- THIS IS AN ORIGINAL DESIGN AND MUST NOT BE RELEASED OR COPIED UNLESS APPLICABLE FEE HAS BEEN PAID OR JOB ORDER PLACED

© THE MAIN COMPANY (YORK) LTD

NOTES

- NOT FOR MANUFACTURE
- DESIGN INTENT ONLY



LED Profile  
Art. no. 833.95.723

**01** SECTION  
BASE RUN

**02** SECTION  
HOB UNIT

**YORKSHIRE  
SHOWROOM**

PROJECT

**ROUND KITCHEN  
REPLACE**

TITLE

MAIN CO

DESIGN FOR

**TIAGO CARVALHO**

DRAWN BY

**1:16** @A3

SCALE

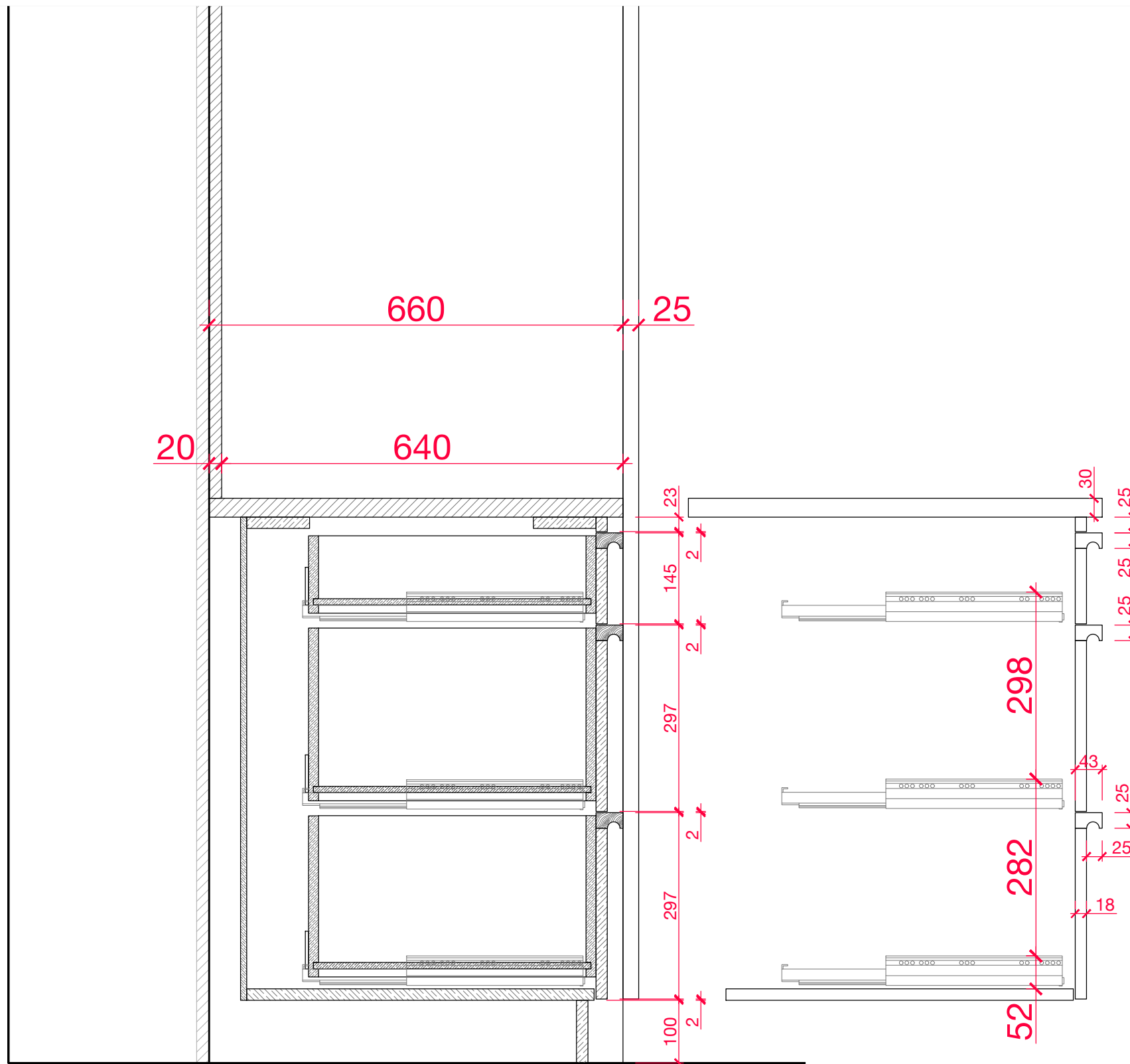
**A** 28.01.2022

REVISION

THE MAIN COMPANY  
(YORK) LTD

YO26 8BQ | 01423 330 451  
sales@maincompany.com





**01** SECTION  
BASE RUN

GENERAL NOTES  
 • ALL DIMENSIONS ARE IN MILLIMETERS UNLESS NOTED OTHERWISE  
 • ALL DIMENSIONS ARE SUBJECT TO VERIFICATION ON JOB SITE AND ADJUSTMENT TO FIT JOB CONDITIONS  
 • THIS IS AN ORIGINAL DESIGN AND MUST NOT BE RELEASED OR COPIED UNLESS APPLICABLE FEE HAS BEEN PAID OR JOB ORDER PLACED  
 © THE MAIN COMPANY (YORK) LTD

NOTES  
 - NOT FOR MANUFACTURE  
 - DESIGN INTENT ONLY

**YORKSHIRE SHOWROOM**

PROJECT

**ROUND KITCHEN REPLACE**

TITLE

MAIN CO  
 DESIGN FOR

TIAGO CARVALHO  
 DRAWN BY

1:8 @A3  
 SCALE

A 28.01.2022  
 REVISION

THE MAIN COMPANY (YORK) LTD  
 YO26 8BQ | 01423 330 451  
 sales@maincompany.com



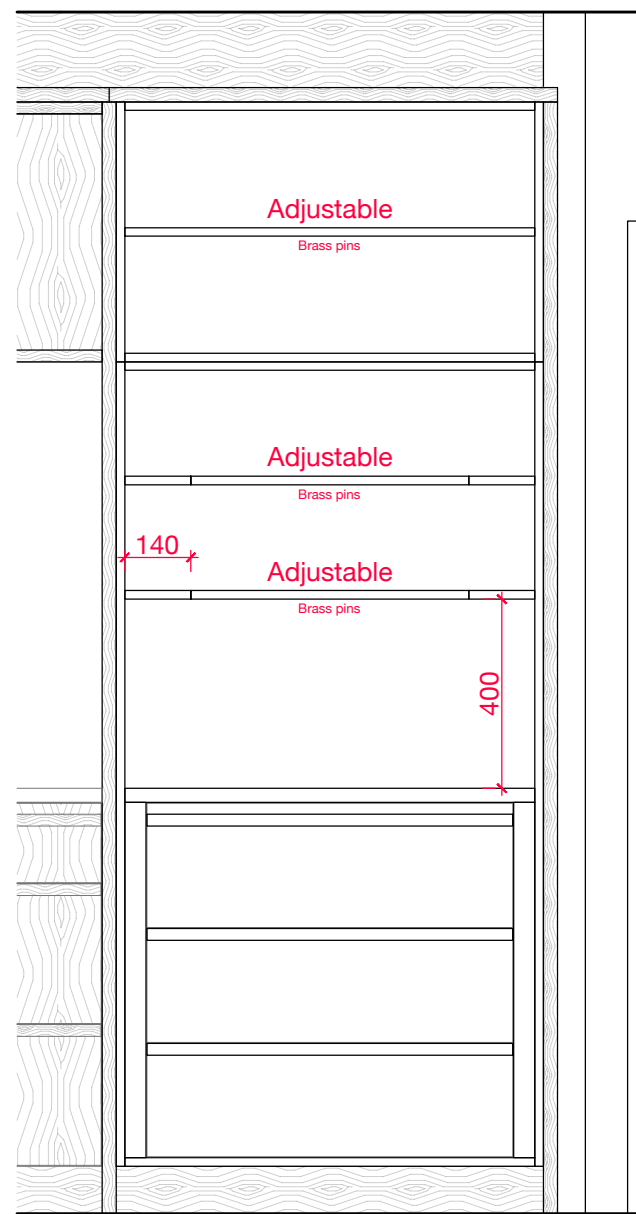
GENERAL NOTES

- ALL DIMENSIONS ARE IN MILLIMETERS UNLESS NOTED OTHERWISE
- ALL DIMENSIONS ARE SUBJECT TO VERIFICATION ON JOB SITE AND ADJUSTMENT TO FIT JOB CONDITIONS
- THIS IS AN ORIGINAL DESIGN AND MUST NOT BE RELEASED OR COPIED UNLESS APPLICABLE FEE HAS BEEN PAID OR JOB ORDER PLACED

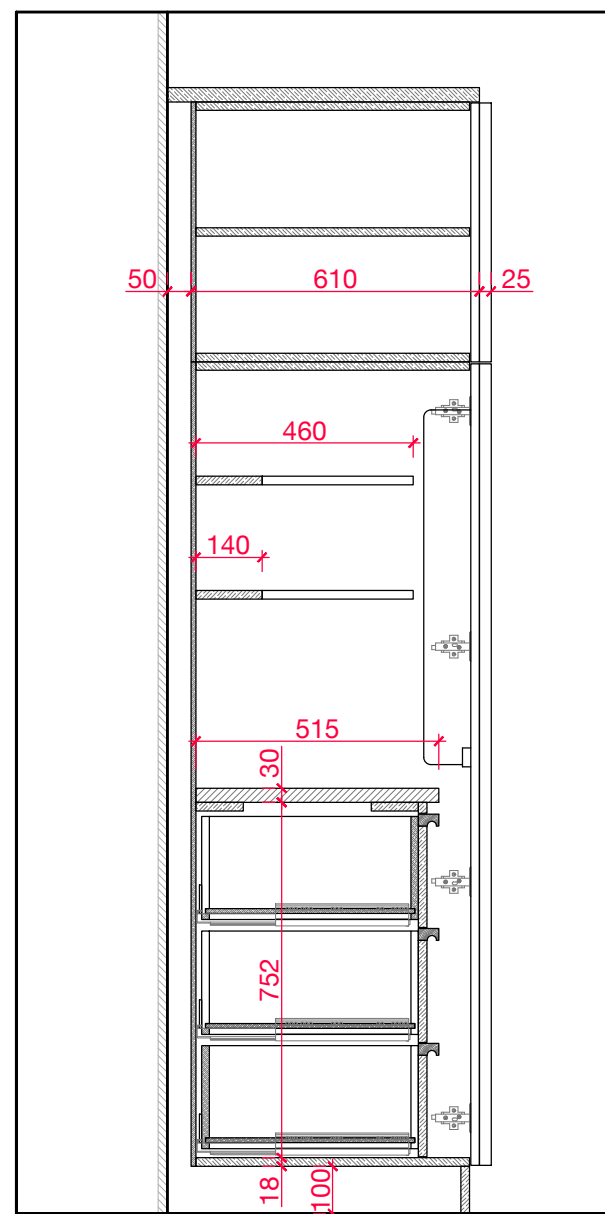
© THE MAIN COMPANY (YORK) LTD

NOTES

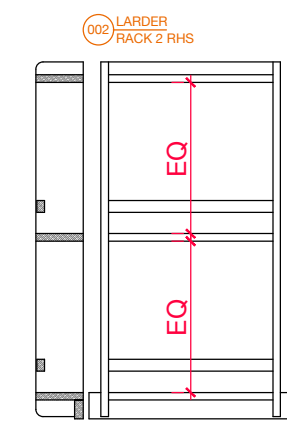
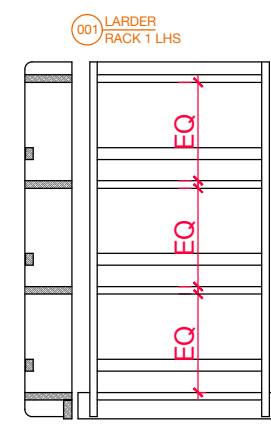
- NOT FOR MANUFACTURE
- DESIGN INTENT ONLY



**A** ELEVATION  
LARDER UNIT  
INTERNAL



**03** SECTION  
LARDER UNIT



**YORKSHIRE SHOWROOM**

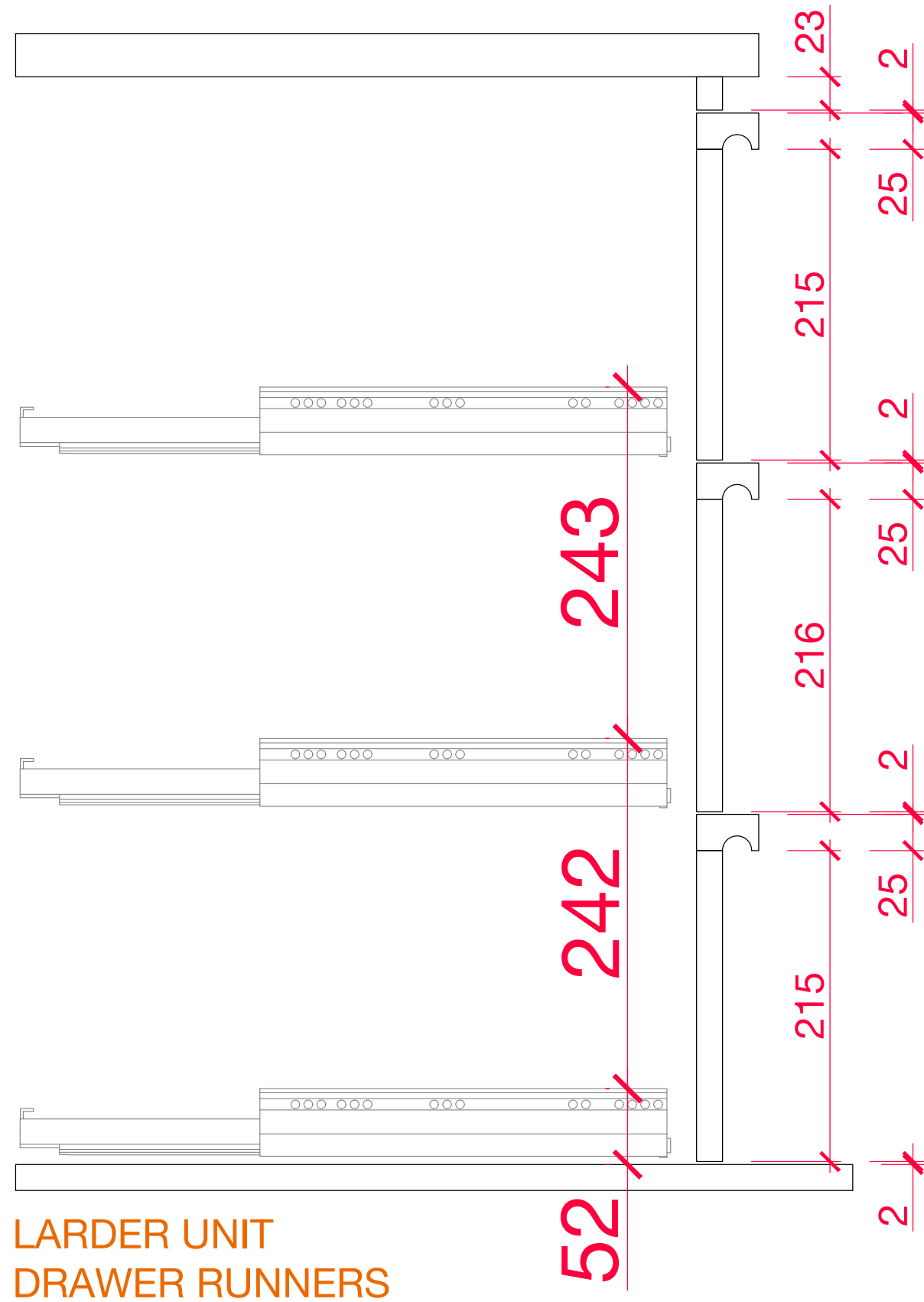
PROJECT  
**ROUND KITCHEN REPLACE**  
TITLE

MAIN CO  
DESIGN FOR  
**TIAGO CARVALHO**  
DRAWN BY

**1:16** @A3  
SCALE  
**A** 28.01.2022  
REVISION

THE MAIN COMPANY (YORK) LTD  
YO26 8BQ | 01423 330 451  
sales@maincompany.com





LARDER UNIT  
DRAWER RUNNERS

GENERAL NOTES  
 • ALL DIMENSIONS ARE IN MILLIMETERS UNLESS NOTED OTHERWISE  
 • ALL DIMENSIONS ARE SUBJECT TO VERIFICATION ON JOB SITE AND ADJUSTMENT TO FIT JOB CONDITIONS  
 • THIS IS AN ORIGINAL DESIGN AND MUST NOT BE RELEASED OR COPIED UNLESS APPLICABLE FEE HAS BEEN PAID OR JOB ORDER PLACED  
 © THE MAIN COMPANY (YORK) LTD

NOTES  
 - NOT FOR MANUFACTURE  
 - DESIGN INTENT ONLY

YORKSHIRE  
SHOWROOM

PROJECT

ROUND KITCHEN  
REPLACE

TITLE

MAIN CO  
DESIGN FOR

TIAGO CARVALHO  
DRAWN BY

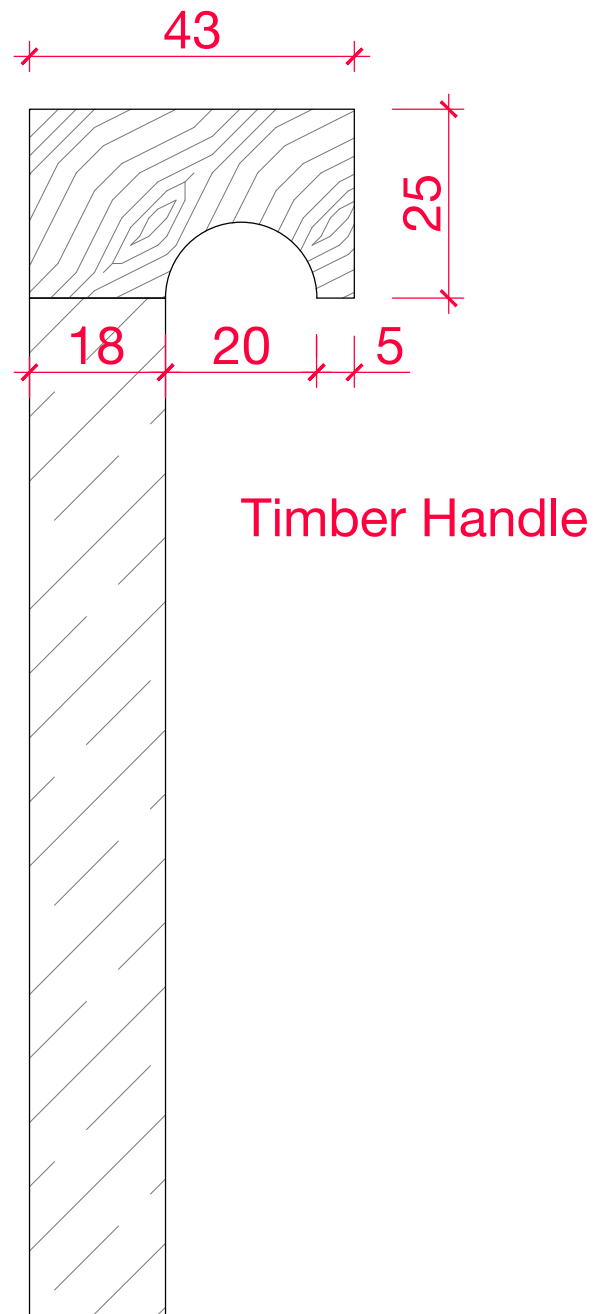
1:4 @A3  
SCALE

A 28.01.2022  
REVISION

THE MAIN COMPANY  
(YORK) LTD  
 YO26 8BQ | 01423 330 451  
 sales@maincompany.com







GENERAL NOTES

- ALL DIMENSIONS ARE IN MILLIMETERS UNLESS NOTED OTHERWISE
- ALL DIMENSIONS ARE SUBJECT TO VERIFICATION ON JOB SITE AND ADJUSTMENT TO FIT JOB CONDITIONS
- THIS IS AN ORIGINAL DESIGN AND MUST NOT BE RELEASED OR COPIED UNLESS APPLICABLE FEE HAS BEEN PAID OR JOB ORDER PLACED

© THE MAIN COMPANY (YORK) LTD

NOTES

- NOT FOR MANUFACTURE
- DESIGN INTENT ONLY

**YORKSHIRE SHOWROOM**

PROJECT

**ROUND KITCHEN REPLACE**

TITLE

**MAIN CO**

DESIGN FOR

**TIAGO CARVALHO**

DRAWN BY

**1:1** @A3

SCALE

**A** 28.01.2022

REVISION

THE MAIN COMPANY (YORK) LTD

YO26 8BQ | 01423 330 451  
sales@maincompany.com



GENERAL NOTES

- ALL DIMENSIONS ARE IN MILLIMETERS UNLESS NOTED OTHERWISE
- ALL DIMENSIONS ARE SUBJECT TO VERIFICATION ON JOB SITE AND ADJUSTMENT TO FIT JOB CONDITIONS
- THIS IS AN ORIGINAL DESIGN AND MUST NOT BE RELEASED OR COPIED UNLESS APPLICABLE FEE HAS BEEN PAID OR JOB ORDER PLACED

© THE MAIN COMPANY (YORK) LTD

NOTES

- NOT FOR MANUFACTURE
- DESIGN INTENT ONLY

**YORKSHIRE SHOWROOM**

PROJECT

**ROUND KITCHEN REPLACE**

TITLE

MAIN CO

DESIGN FOR

TIAGO CARVALHO

DRAWN BY

1:25 @A3

SCALE

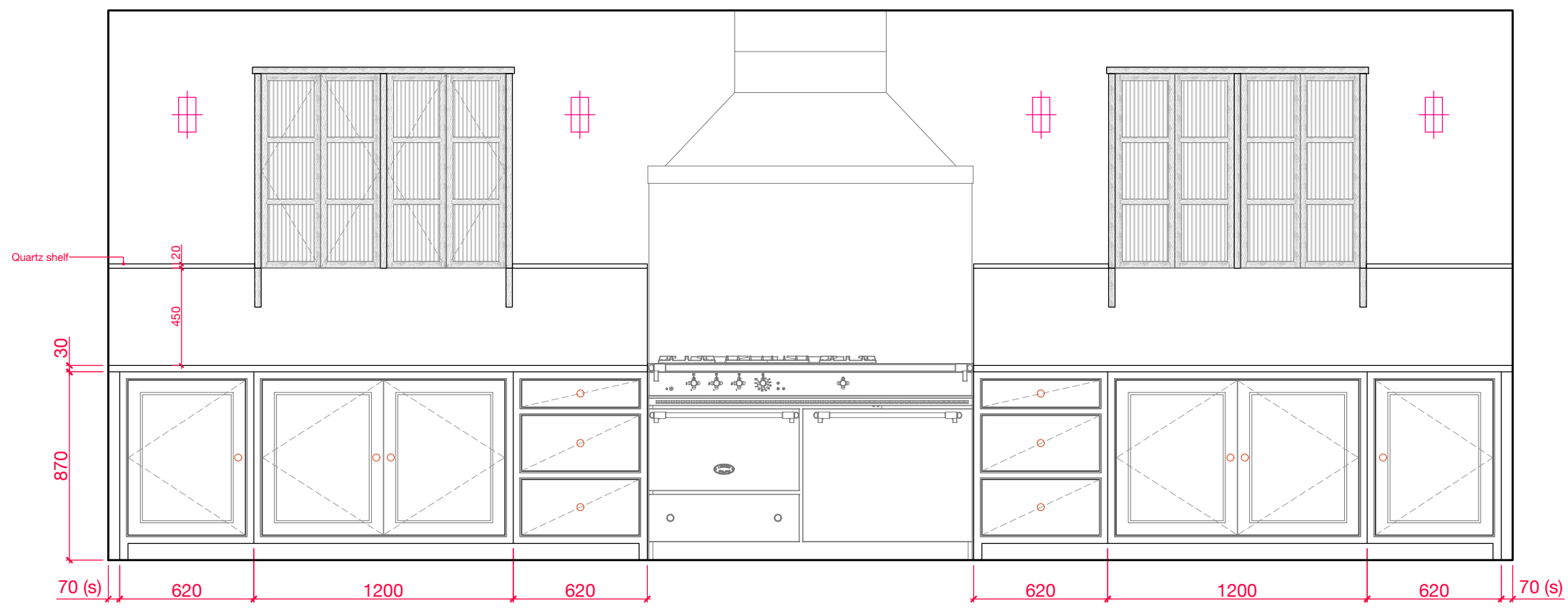
A 28.01.2022

REVISION

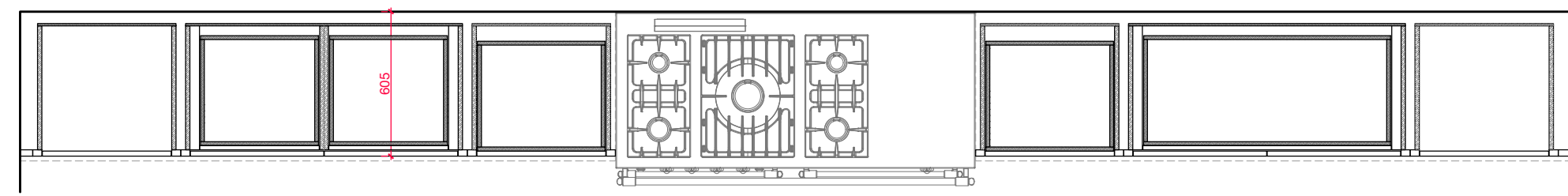
THE MAIN COMPANY (YORK) LTD

YO26 8BQ | 01423 330 451

sales@maincompany.com



**B** ELEVATION  
RANGE HOOD  
EXTERNAL



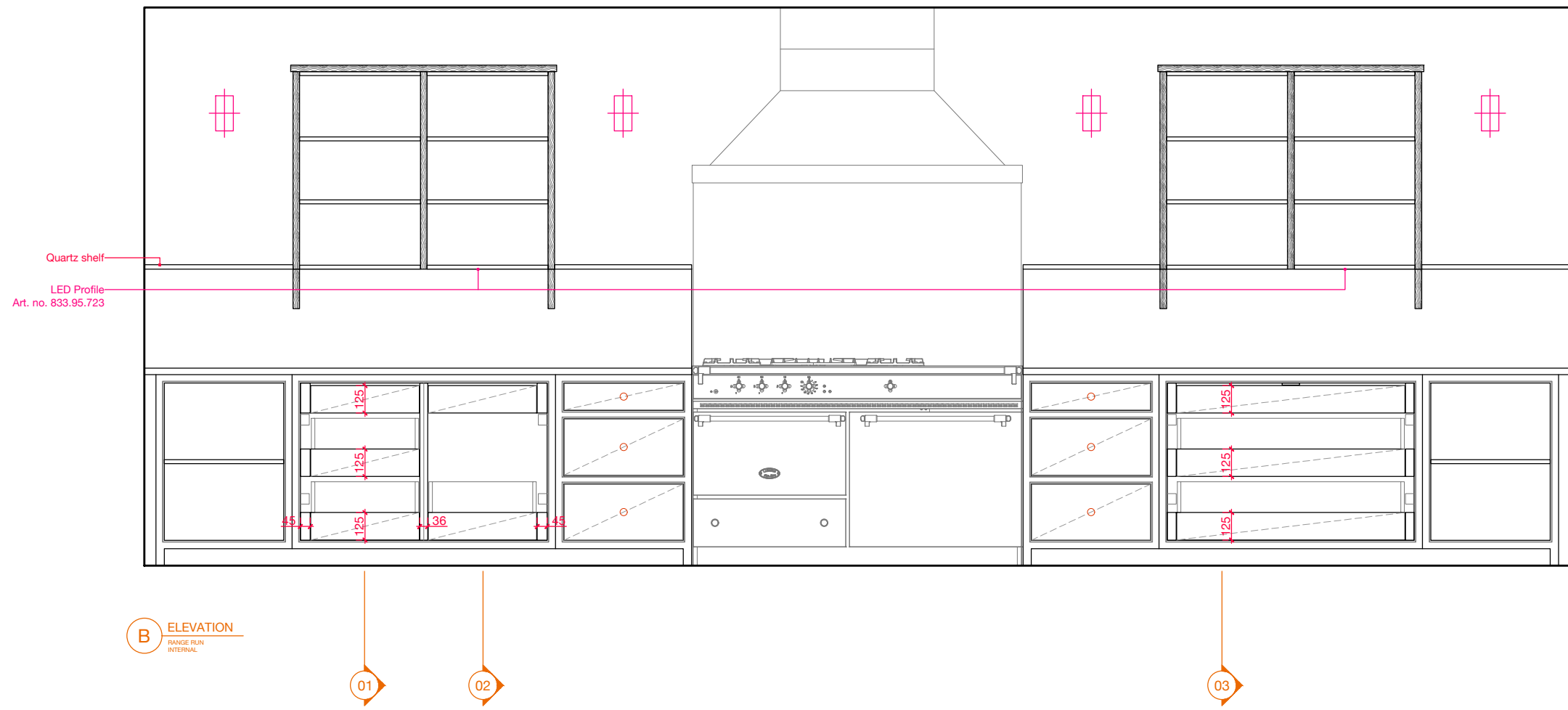
GENERAL NOTES

- ALL DIMENSIONS ARE IN MILLIMETERS UNLESS NOTED OTHERWISE
- ALL DIMENSIONS ARE SUBJECT TO VERIFICATION ON JOB SITE AND ADJUSTMENT TO FIT JOB CONDITIONS
- THIS IS AN ORIGINAL DESIGN AND MUST NOT BE RELEASED OR COPIED UNLESS APPLICABLE FEE HAS BEEN PAID OR JOB ORDER PLACED

© THE MAIN COMPANY (YORK) LTD

NOTES

- NOT FOR MANUFACTURE
- DESIGN INTENT ONLY



**B** ELEVATION  
RANGE HOD  
INTERNAL

**YORKSHIRE SHOWROOM**

PROJECT

**ROUND KITCHEN REPLACE**

TITLE

MAIN CO  
DESIGN FOR

TIAGO CARVALHO  
DRAWN BY

1:25 @A3  
SCALE

A 28.01.2022  
REVISION

THE MAIN COMPANY  
(YORK) LTD  
YO26 8BQ | 01423 330 451  
sales@maincompany.com



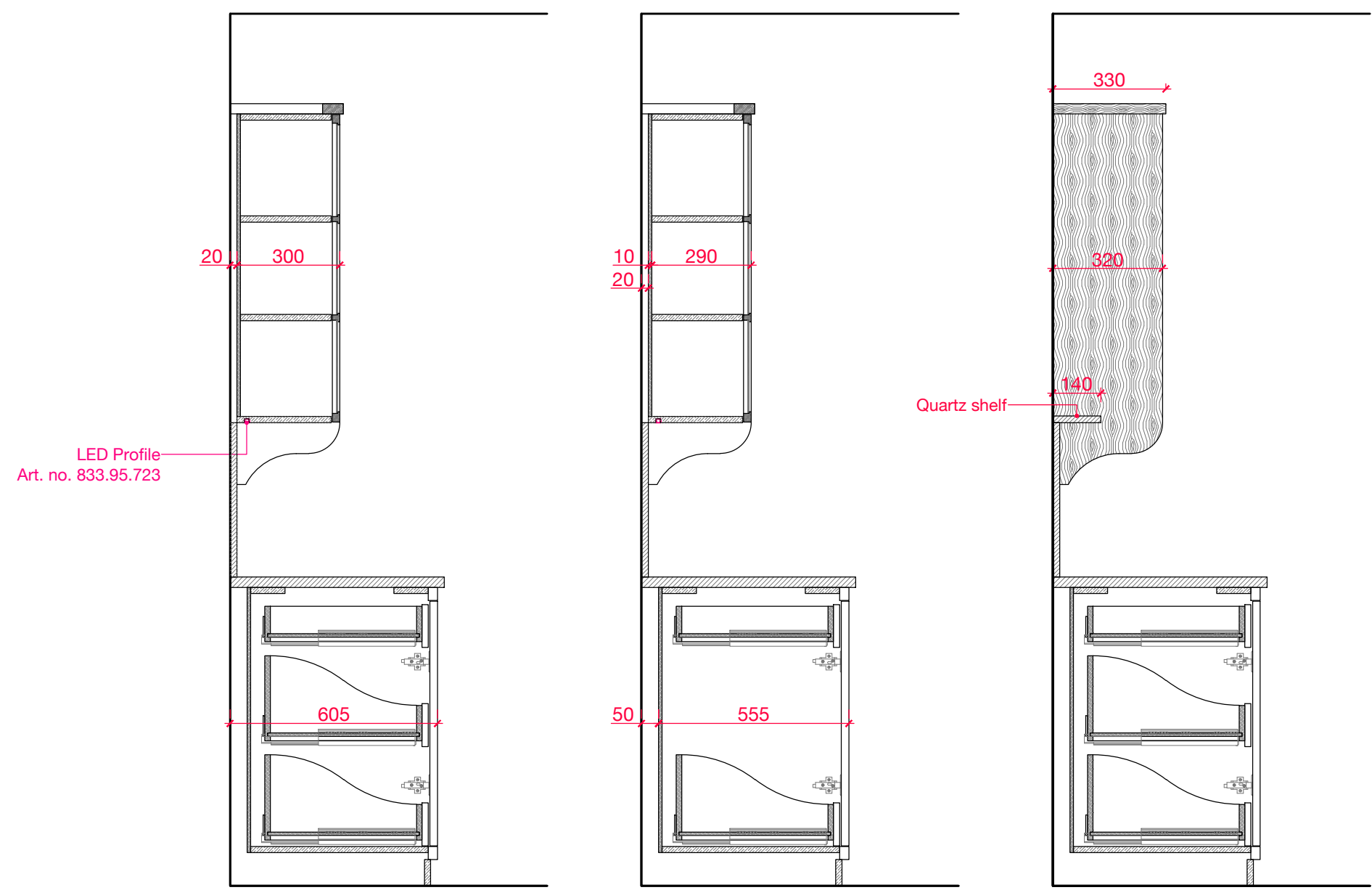
GENERAL NOTES

- ALL DIMENSIONS ARE IN MILLIMETERS UNLESS NOTED OTHERWISE
- ALL DIMENSIONS ARE SUBJECT TO VERIFICATION ON JOB SITE AND ADJUSTMENT TO FIT JOB CONDITIONS
- THIS IS AN ORIGINAL DESIGN AND MUST NOT BE RELEASED OR COPIED UNLESS APPLICABLE FEE HAS BEEN PAID OR JOB ORDER PLACED

© THE MAIN COMPANY (YORK) LTD

NOTES

- NOT FOR MANUFACTURE
- DESIGN INTENT ONLY



01 SECTION  
RANGE RUN

02 SECTION  
RANGE RUN

03 SECTION  
RANGE RUN

YORKSHIRE  
SHOWROOM

PROJECT

ROUND KITCHEN  
REPLACE

TITLE

MAIN CO

DESIGN FOR

TIAGO CARVALHO

DRAWN BY

1:16 @A3

SCALE

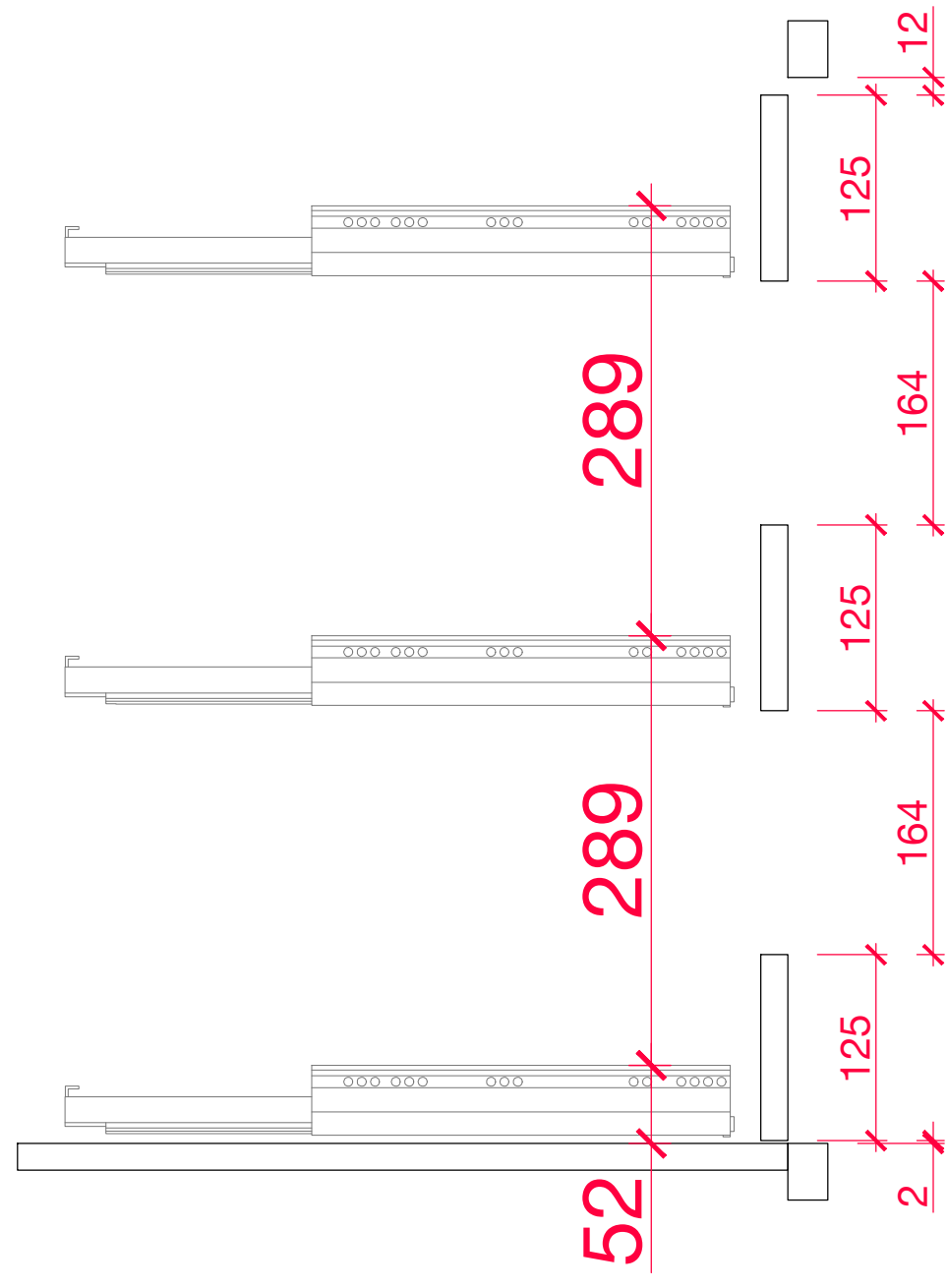
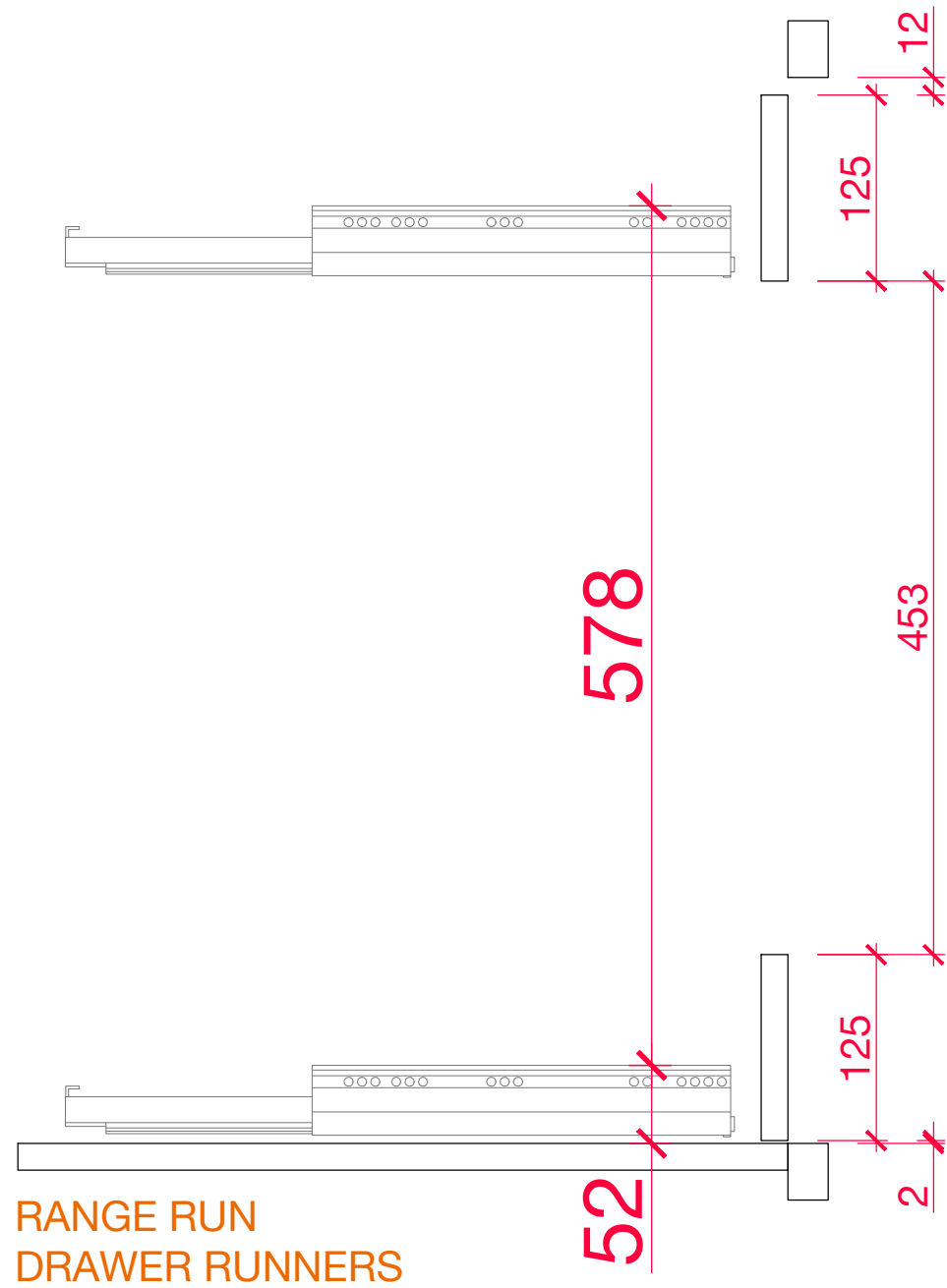
A 28.01.2022

REVISION

THE MAIN COMPANY  
(YORK) LTD

YO26 8BQ | 01423 330 451  
sales@maincompany.com





GENERAL NOTES  
 • ALL DIMENSIONS ARE IN MILLIMETERS UNLESS NOTED OTHERWISE  
 • ALL DIMENSIONS ARE SUBJECT TO VERIFICATION ON JOB SITE AND ADJUSTMENT TO FIT JOB CONDITIONS  
 • THIS IS AN ORIGINAL DESIGN AND MUST NOT BE RELEASED OR COPIED UNLESS APPLICABLE FEE HAS BEEN PAID OR JOB ORDER PLACED  
 © THE MAIN COMPANY (YORK) LTD

NOTES  
 - NOT FOR MANUFACTURE  
 - DESIGN INTENT ONLY

**YORKSHIRE SHOWROOM**

PROJECT

**ROUND KITCHEN REPLACE**

TITLE

MAIN CO  
 DESIGN FOR

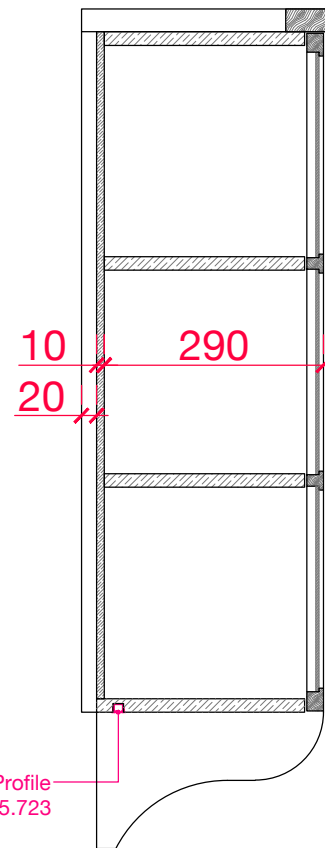
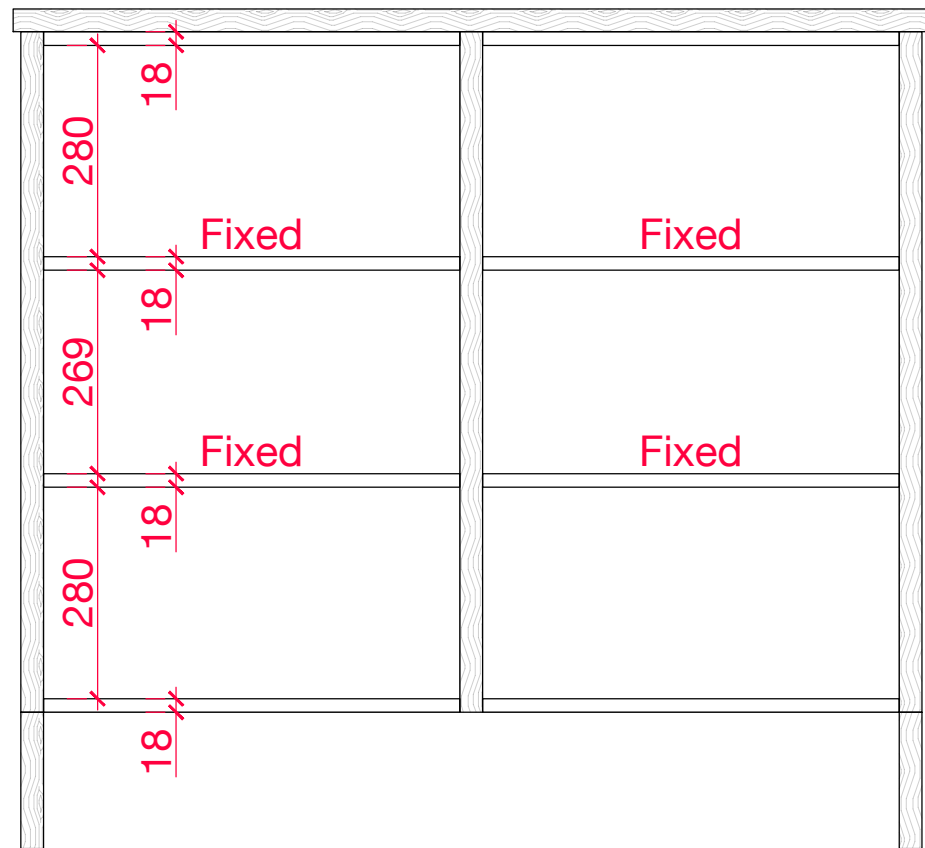
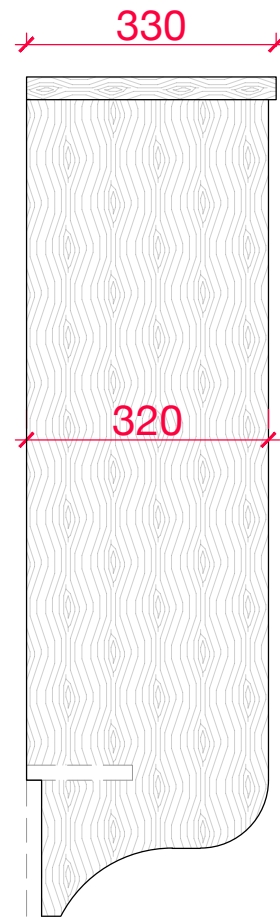
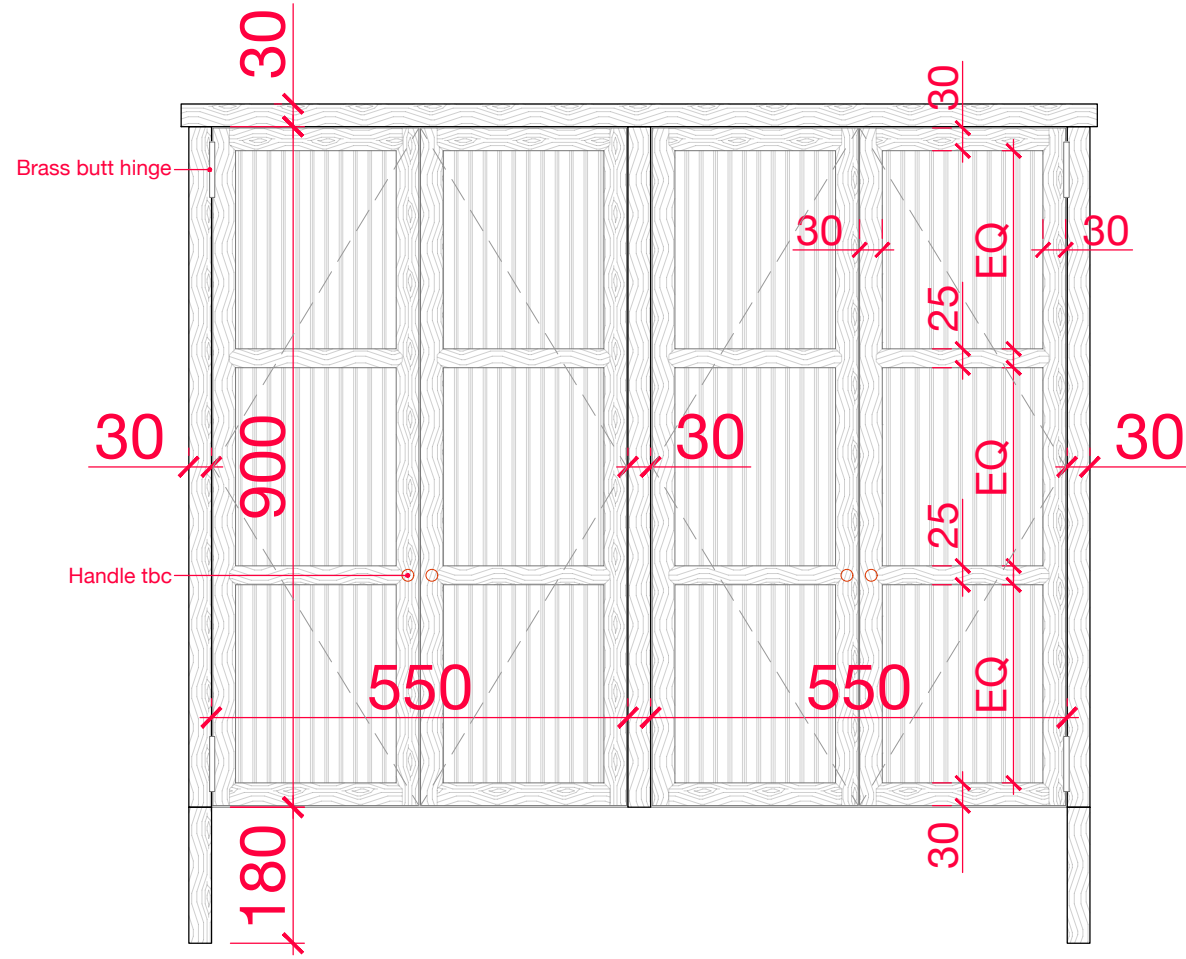
TIAGO CARVALHO  
 DRAWN BY

1:5 @A3  
 SCALE

A 28.01.2022  
 REVISION

THE MAIN COMPANY (YORK) LTD  
 YO26 8BQ | 01423 330 451  
 sales@maincompany.com





GENERAL NOTES  
 • ALL DIMENSIONS ARE IN MILLIMETERS UNLESS NOTED OTHERWISE  
 • ALL DIMENSIONS ARE SUBJECT TO VERIFICATION ON JOB SITE AND ADJUSTMENT TO FIT JOB CONDITIONS  
 • THIS IS AN ORIGINAL DESIGN AND MUST NOT BE RELEASED OR COPIED UNLESS APPLICABLE FEE HAS BEEN PAID OR JOB ORDER PLACED  
 © THE MAIN COMPANY (YORK) LTD

NOTES  
 - NOT FOR MANUFACTURE  
 - DESIGN INTENT ONLY

**YORKSHIRE  
 SHOWROOM**

PROJECT

**ROUND KITCHEN  
 REPLACE**

TITLE

MAIN CO

DESIGN FOR

TIAGO CARVALHO

DRAWN BY

**1:10** @A3

SCALE

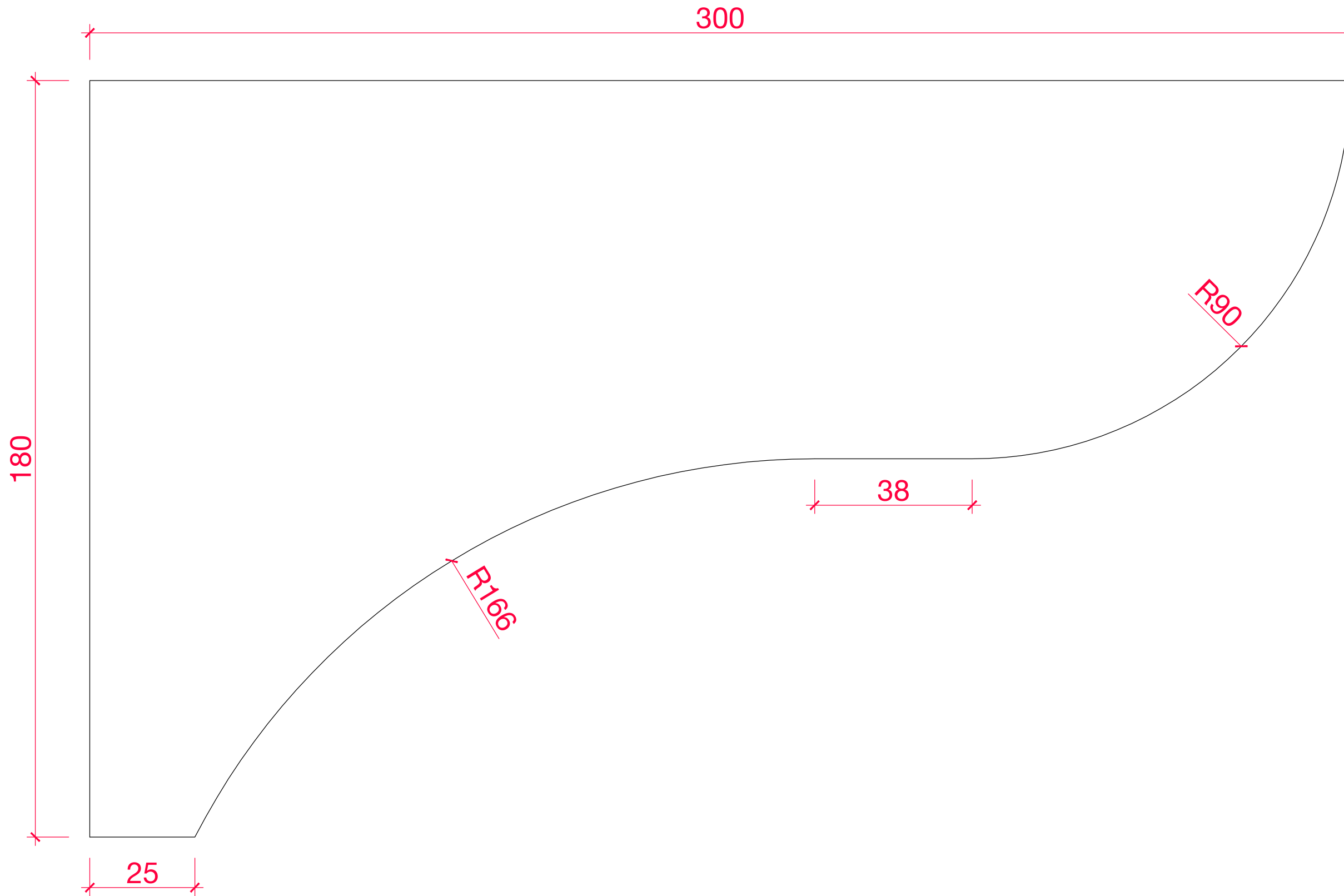
**A** 28.01.2022

REVISION

THE MAIN COMPANY  
 (YORK) LTD

YO26 8BQ | 01423 330 451  
 sales@maincompany.com





GENERAL NOTES

- ALL DIMENSIONS ARE IN MILLIMETERS UNLESS NOTED OTHERWISE
- ALL DIMENSIONS ARE SUBJECT TO VERIFICATION ON JOB SITE AND ADJUSTMENT TO FIT JOB CONDITIONS
- THIS IS AN ORIGINAL DESIGN AND MUST NOT BE RELEASED OR COPIED UNLESS APPLICABLE FEE HAS BEEN PAID OR JOB ORDER PLACED

© THE MAIN COMPANY (YORK) LTD

NOTES

- NOT FOR MANUFACTURE
- DESIGN INTENT ONLY

**YORKSHIRE SHOWROOM**

PROJECT

**ROUND KITCHEN REPLACE**

TITLE

MAIN CO  
DESIGN FOR

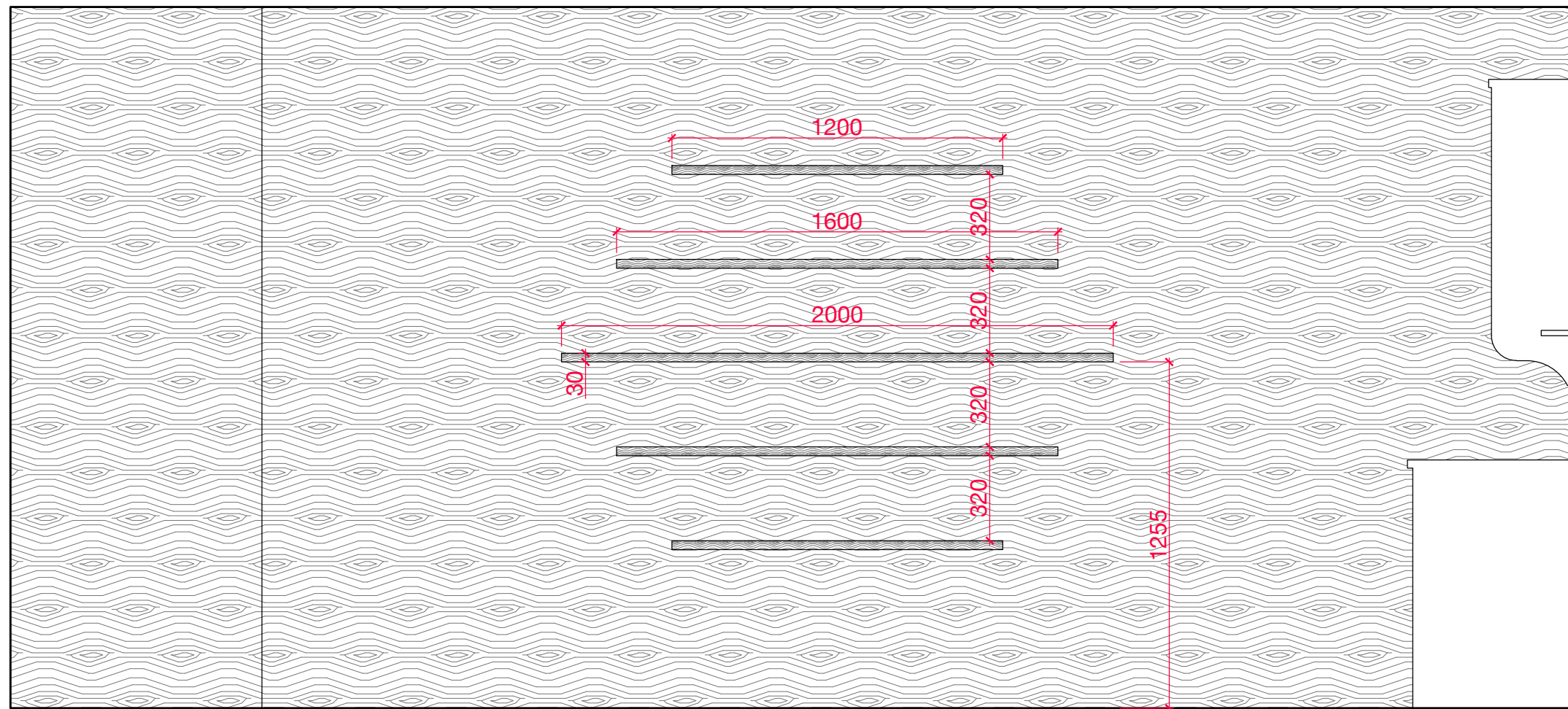
TIAGO CARVALHO  
DRAWN BY

1:1 @A3  
SCALE

A 28.01.2022  
REVISION

THE MAIN COMPANY (YORK) LTD  
YO26 8BQ | 01423 330 451  
sales@maincompany.com





GENERAL NOTES  
 • ALL DIMENSIONS ARE IN MILLIMETERS UNLESS NOTED OTHERWISE  
 • ALL DIMENSIONS ARE SUBJECT TO VERIFICATION ON JOB SITE AND ADJUSTMENT TO FIT JOB CONDITIONS  
 • THIS IS AN ORIGINAL DESIGN AND MUST NOT BE RELEASED OR COPIED UNLESS APPLICABLE FEE HAS BEEN PAID OR JOB ORDER PLACED  
 © THE MAIN COMPANY (YORK) LTD

NOTES  
 - NOT FOR MANUFACTURE  
 - DESIGN INTENT ONLY

**YORKSHIRE SHOWROOM**

PROJECT

**ROUND KITCHEN REPLACE**

TITLE

MAIN CO  
 DESIGN FOR

TIAGO CARVALHO  
 DRAWN BY

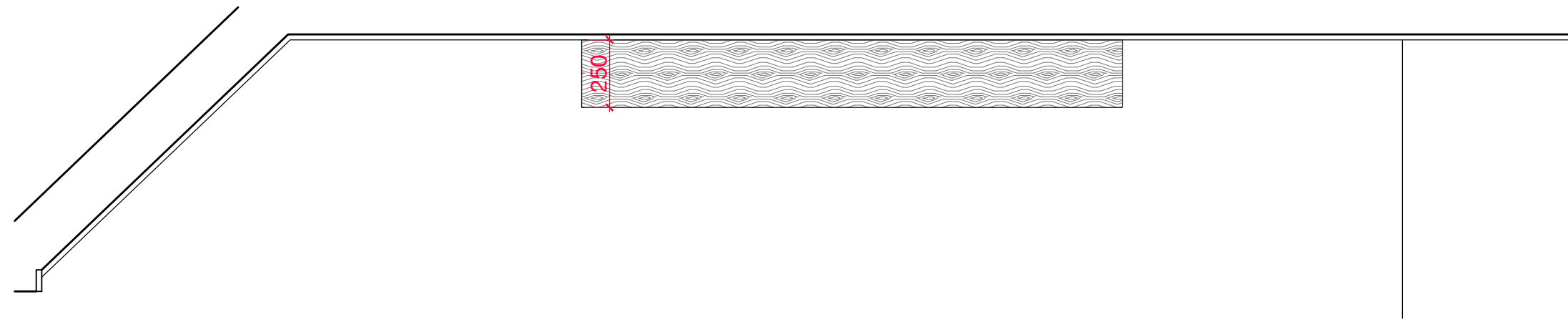
1:20 @A3  
 SCALE

A 28.01.2022  
 REVISION

THE MAIN COMPANY (YORK) LTD  
 YO26 8BQ | 01423 330 451  
 sales@maincompany.com



C ELEVATION  
 CLADDED WALL

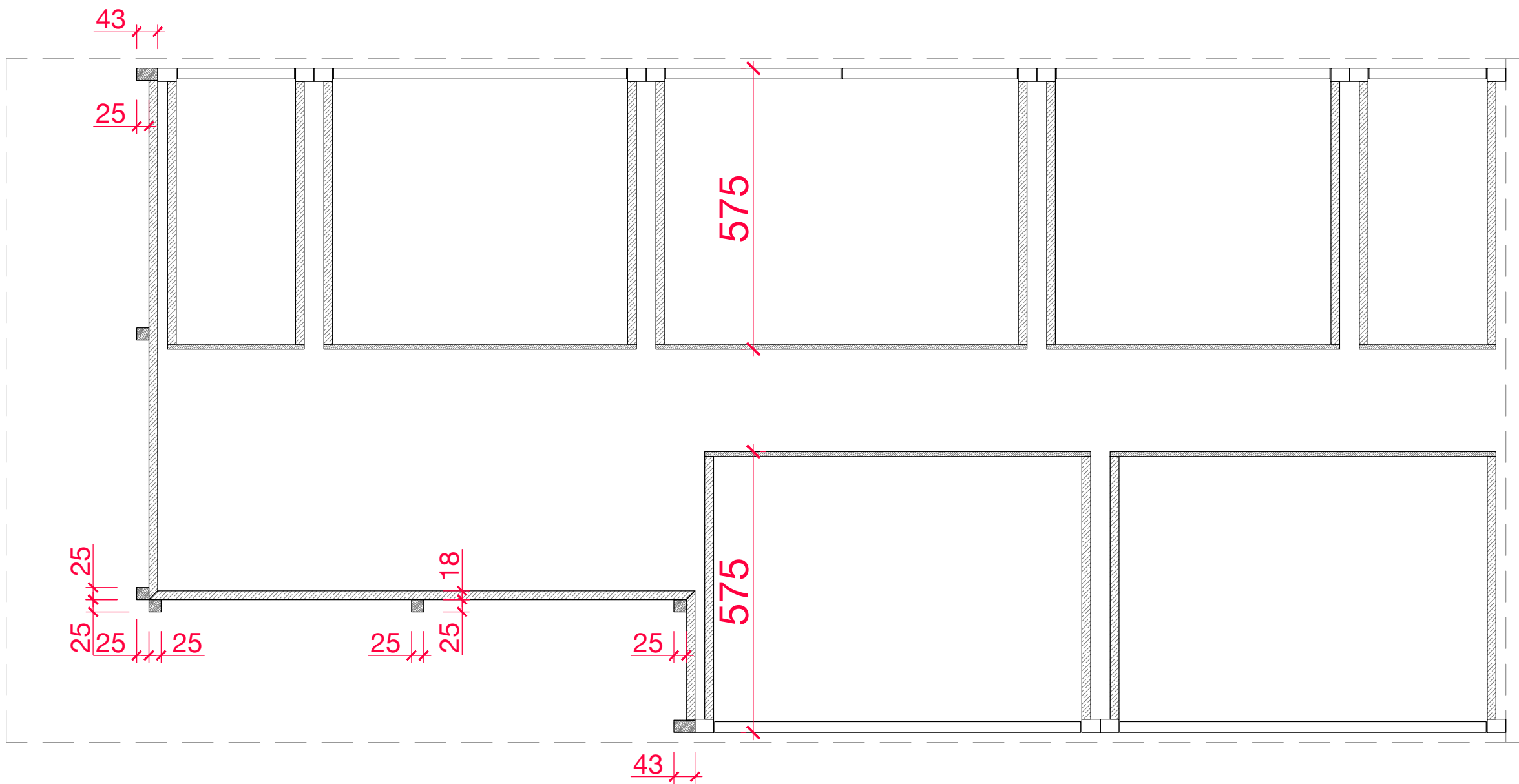




RANGE SIDE

CLADDIED WALL

WINDOW



TALL RUN

GENERAL NOTES

- ALL DIMENSIONS ARE IN MILLIMETERS UNLESS NOTED OTHERWISE
- ALL DIMENSIONS ARE SUBJECT TO VERIFICATION ON JOB SITE AND ADJUSTMENT TO FIT JOB CONDITIONS
- THIS IS AN ORIGINAL DESIGN AND MUST NOT BE RELEASED OR COPIED UNLESS APPLICABLE FEE HAS BEEN PAID OR JOB ORDER PLACED

© THE MAIN COMPANY (YORK) LTD

NOTES

- NOT FOR MANUFACTURE
- DESIGN INTENT ONLY

YORKSHIRE SHOWROOM

PROJECT

ROUND KITCHEN REPLACE

TITLE

MAIN CO DESIGN FOR

TIAGO CARVALHO DRAWN BY

1:10 @A3 SCALE

A 28.01.2022 REVISION

THE MAIN COMPANY (YORK) LTD  
 YO26 8BQ | 01423 330 451  
 sales@maincompany.com



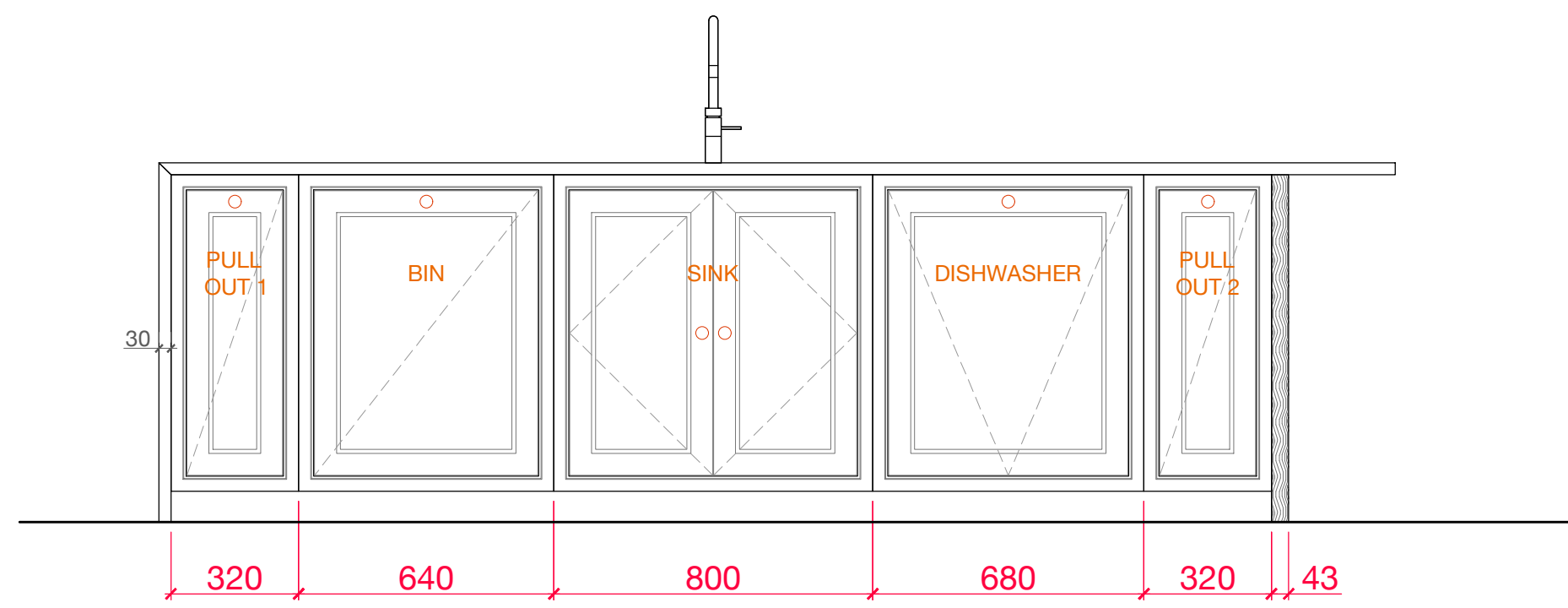
GENERAL NOTES

- ALL DIMENSIONS ARE IN MILLIMETERS UNLESS NOTED OTHERWISE
- ALL DIMENSIONS ARE SUBJECT TO VERIFICATION ON JOB SITE AND ADJUSTMENT TO FIT JOB CONDITIONS
- THIS IS AN ORIGINAL DESIGN AND MUST NOT BE RELEASED OR COPIED UNLESS APPLICABLE FEE HAS BEEN PAID OR JOB ORDER PLACED

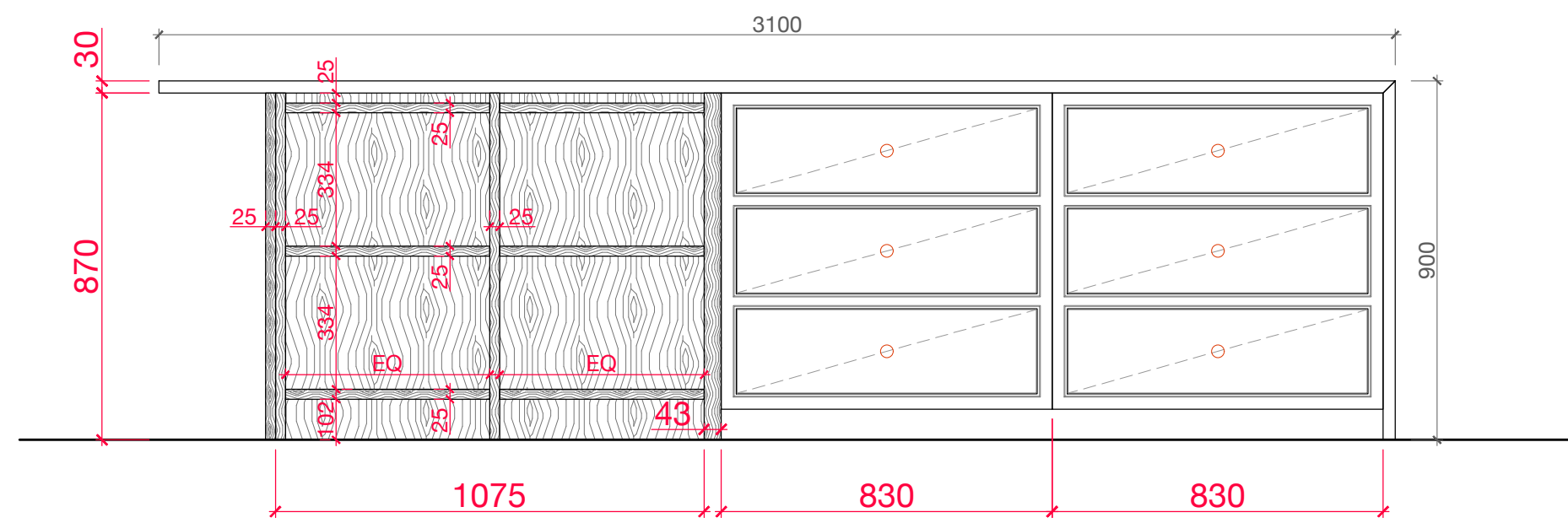
© THE MAIN COMPANY (YORK) LTD

NOTES

- NOT FOR MANUFACTURE
- DESIGN INTENT ONLY



**A** ELEVATION ISLAND



**B** ELEVATION ISLAND

**YORKSHIRE SHOWROOM**

PROJECT

**ROUND KITCHEN REPLACE**

TITLE

MAIN CO

DESIGN FOR

**TIAGO CARVALHO**

DRAWN BY

**1:16** @A3

SCALE

**A** 28.01.2022

REVISION

THE MAIN COMPANY (YORK) LTD

YO26 8BQ | 01423 330 451

sales@maincompany.com



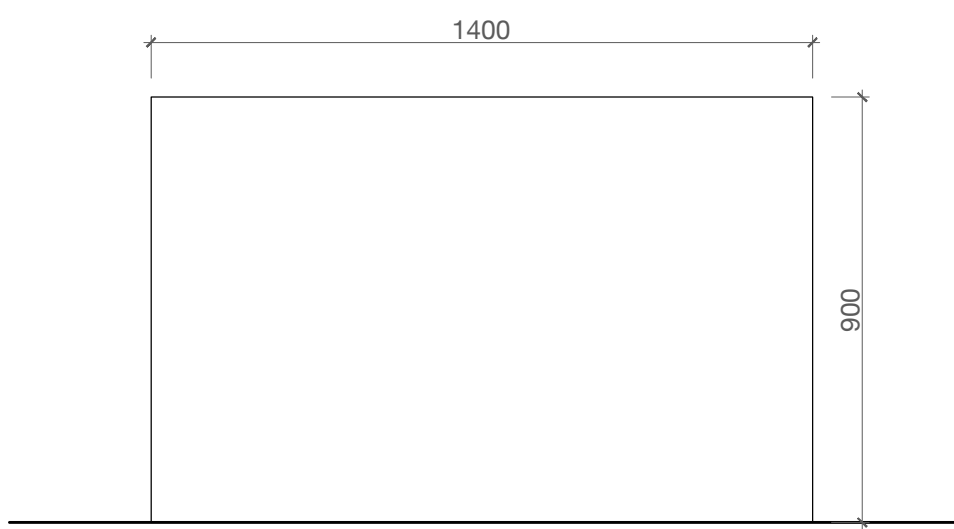
GENERAL NOTES

- ALL DIMENSIONS ARE IN MILLIMETERS UNLESS NOTED OTHERWISE
- ALL DIMENSIONS ARE SUBJECT TO VERIFICATION ON JOB SITE AND ADJUSTMENT TO FIT JOB CONDITIONS
- THIS IS AN ORIGINAL DESIGN AND MUST NOT BE RELEASED OR COPIED UNLESS APPLICABLE FEE HAS BEEN PAID OR JOB ORDER PLACED

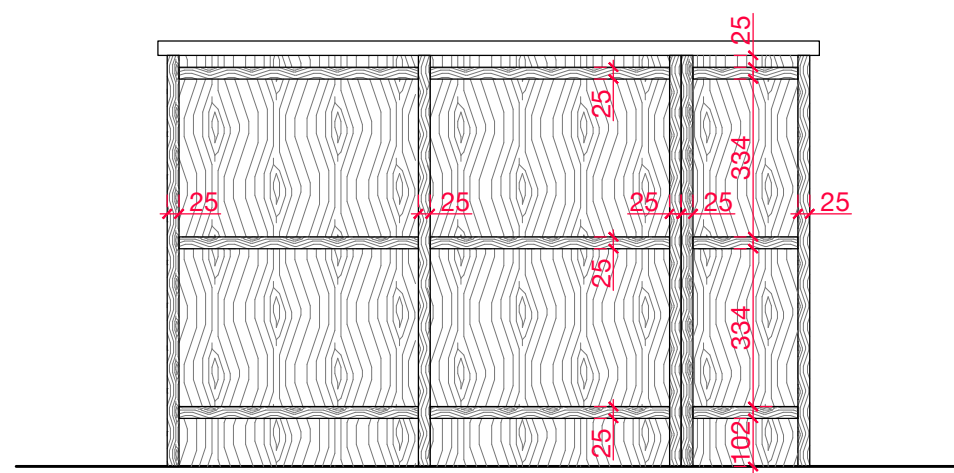
© THE MAIN COMPANY (YORK) LTD

NOTES

- NOT FOR MANUFACTURE  
- DESIGN INTENT ONLY



**C** ELEVATION  
ISLAND



**D** ELEVATION  
ISLAND

**YORKSHIRE SHOWROOM**

PROJECT

**ROUND KITCHEN REPLACE**

TITLE

MAIN CO  
DESIGN FOR

TIAGO CARVALHO  
DRAWN BY

**1:16** @A3  
SCALE

**A** 28.01.2022  
REVISION

THE MAIN COMPANY (YORK) LTD  
YO26 8BQ | 01423 330 451  
sales@maincompany.com



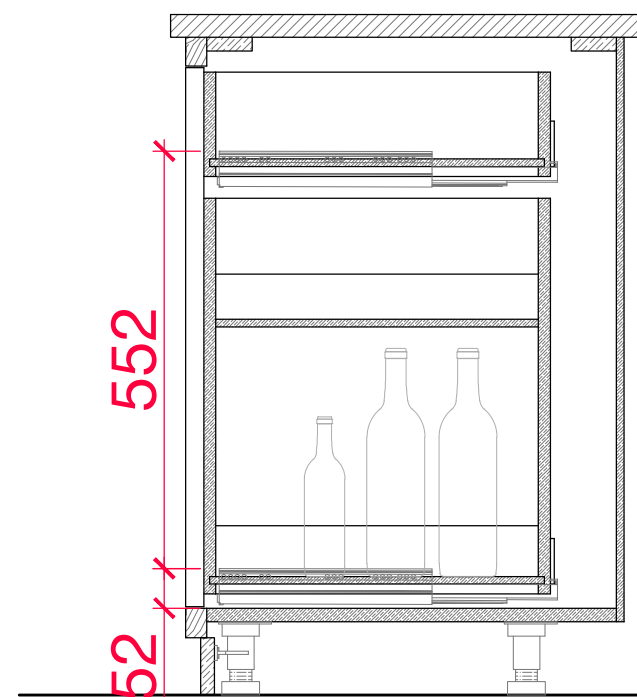
GENERAL NOTES

- ALL DIMENSIONS ARE IN MILLIMETERS UNLESS NOTED OTHERWISE
- ALL DIMENSIONS ARE SUBJECT TO VERIFICATION ON JOB SITE AND ADJUSTMENT TO FIT JOB CONDITIONS
- THIS IS AN ORIGINAL DESIGN AND MUST NOT BE RELEASED OR COPIED UNLESS APPLICABLE FEE HAS BEEN PAID OR JOB ORDER PLACED

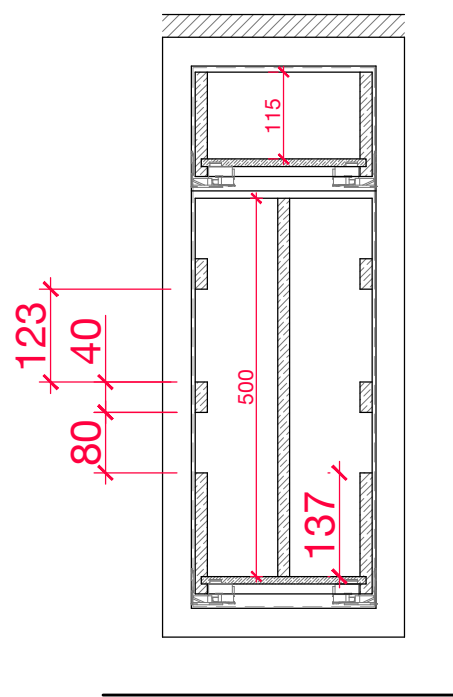
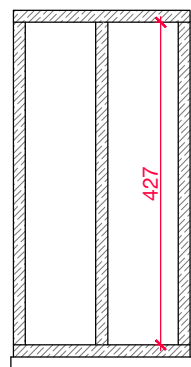
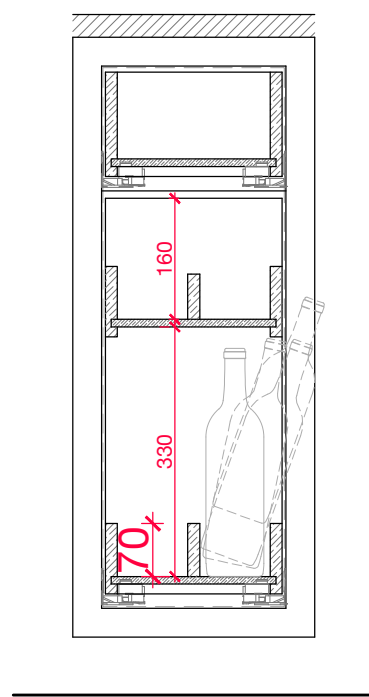
© THE MAIN COMPANY (YORK) LTD

NOTES

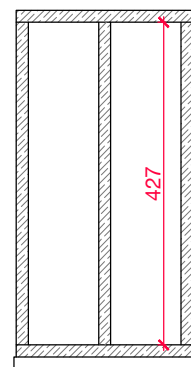
- NOT FOR MANUFACTURE
- DESIGN INTENT ONLY



PULL OUT - 1



PULL OUT - 2



YORKSHIRE SHOWROOM

PROJECT

ROUND KITCHEN REPLACE

TITLE

MAIN CO

DESIGN FOR

TIAGO CARVALHO

DRAWN BY

1:10 @A3

SCALE

A 28.01.2022

REVISION

THE MAIN COMPANY (YORK) LTD  
 YO26 8BQ | 01423 330 451  
 sales@maincompany.com

