

THE MAIN COMPANY  
ESTABLISHED 1978

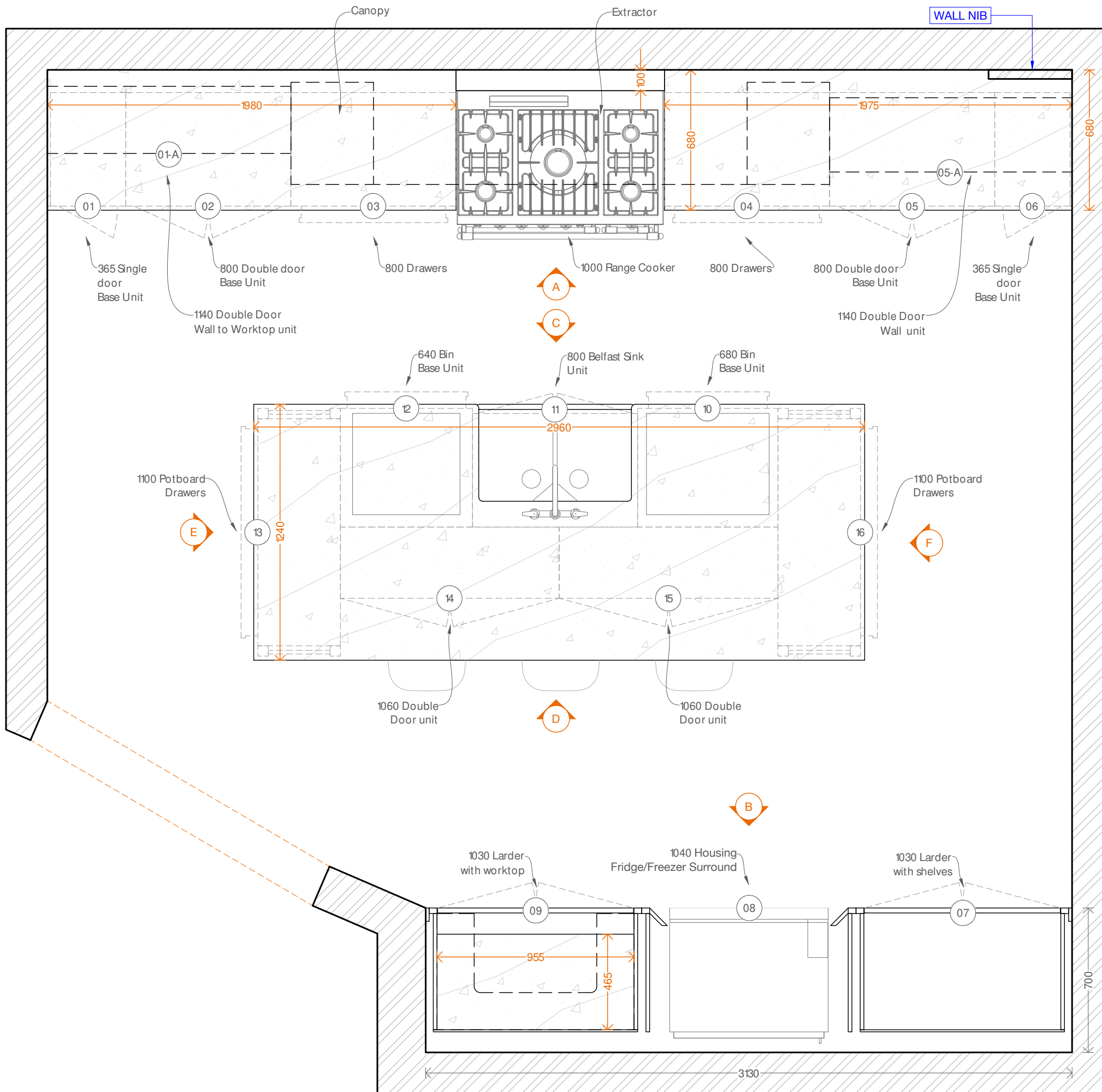
/

# OXFORD EX DISPLAY

PROJECT MANAGER  
ALEX MAIN

ISSUED FOR APPROVAL | REV\_A

24.09.2024



GENERAL NOTES

- ALL DIMENSIONS ARE IN MILLIMETERS UNLESS NOTED OTHERWISE
- ALL DIMENSIONS ARE SUBJECT TO VERIFICATION ON JOB SITE AND ADJUSTMENT TO FIT JOB CONDITIONS
- THIS IS AN ORIGINAL DESIGN AND MUST NOT BE RELEASED OR COPIED UNLESS APPLICABLE FEE HAS BEEN PAID OR JOB ORDER PLACED

© THE MAIN COMPANY (YORK) LTD

NOTES

- NOT FOR MANUFACTURE
- DESIGN INTENT ONLY

## OXFORD EX DISPLAY

PROJECT

KITCHEN  
TITLE

TMC YORKSHORE SHOWROOM  
DESIGN FOR

DRAWN BY

1:20 @A3  
SCALE

A 24.09.2024  
REVISION

THE MAIN COMPANY (YORK) LTD  
YO26 8BQ | 01423 330 451  
sales@maincompany.com



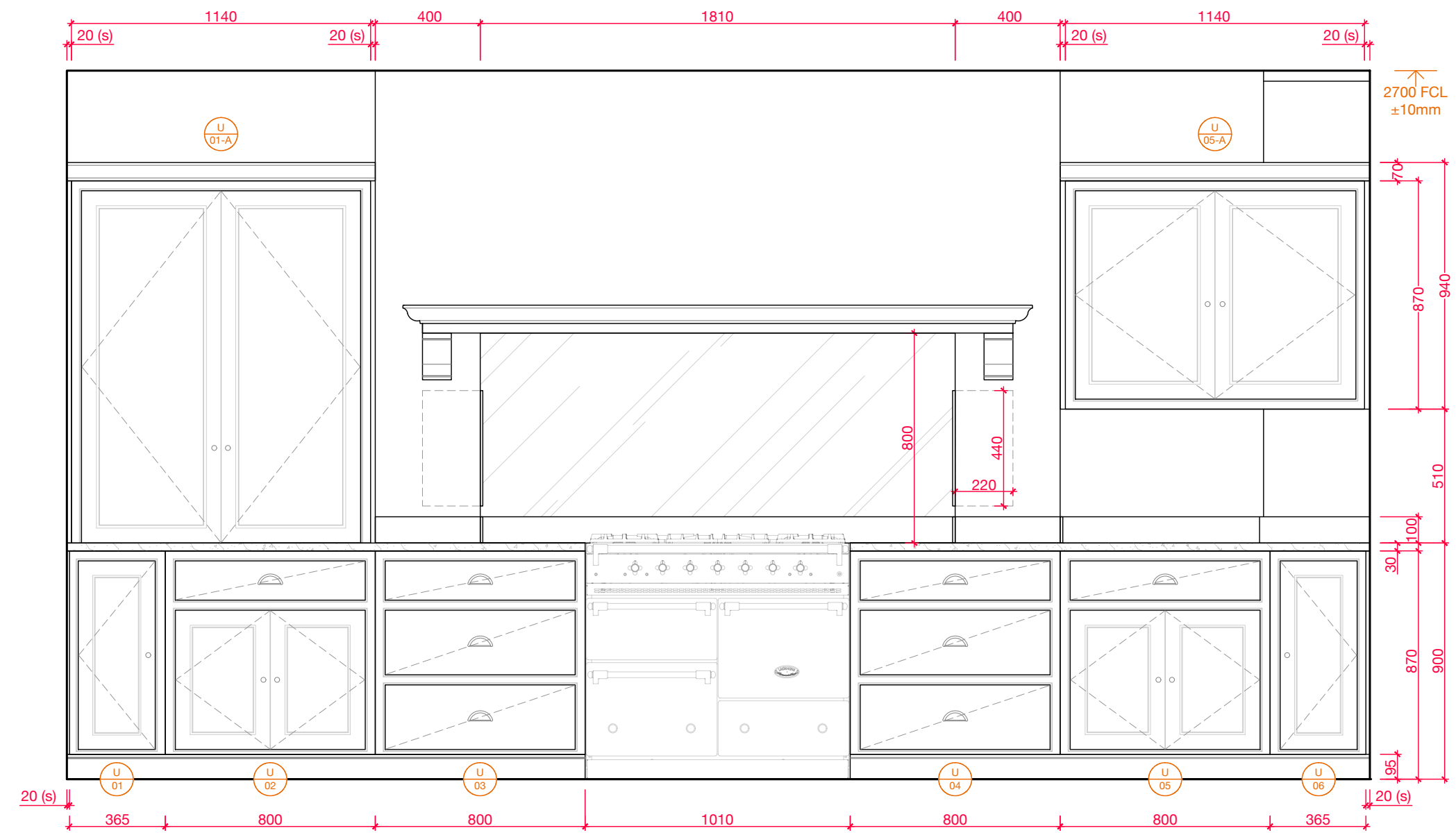
GENERAL NOTES

- ALL DIMENSIONS ARE IN MILLIMETERS UNLESS NOTED OTHERWISE
- ALL DIMENSIONS ARE SUBJECT TO VERIFICATION ON JOB SITE AND ADJUSTMENT TO FIT JOB CONDITIONS
- THIS IS AN ORIGINAL DESIGN AND MUST NOT BE RELEASED OR COPIED UNLESS APPLICABLE FEE HAS BEEN PAID OR JOB ORDER PLACED

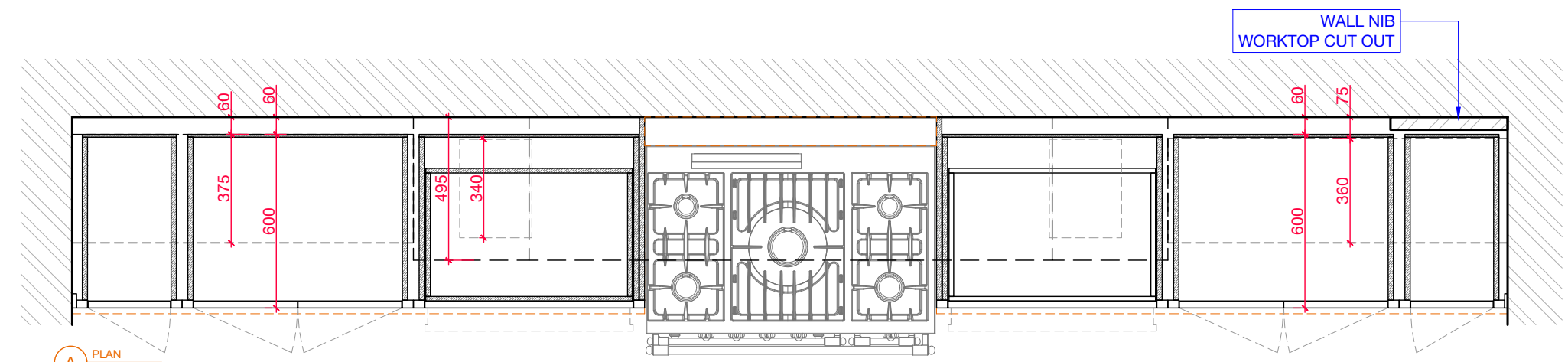
© THE MAIN COMPANY (YORK) LTD

NOTES

- NOT FOR MANUFACTURE
- DESIGN INTENT ONLY



A ELEVATION EXTERNAL



A PLAN KITCHEN

OXFORD EX DISPLAY

PROJECT

KITCHEN

TITLE

TMC YORKSHORE SHOWROOM

DESIGN FOR

DRAWN BY

1:20 @A3

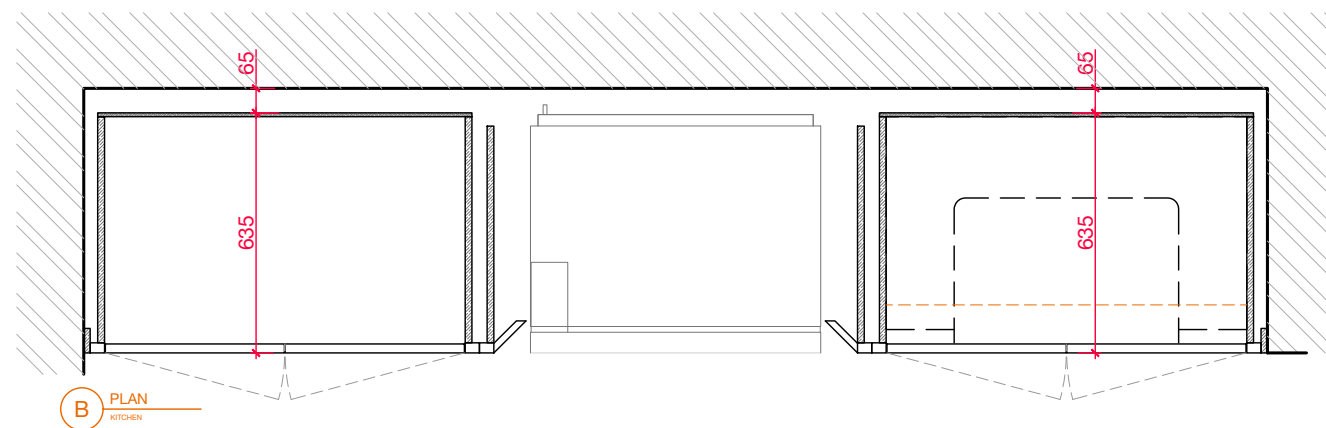
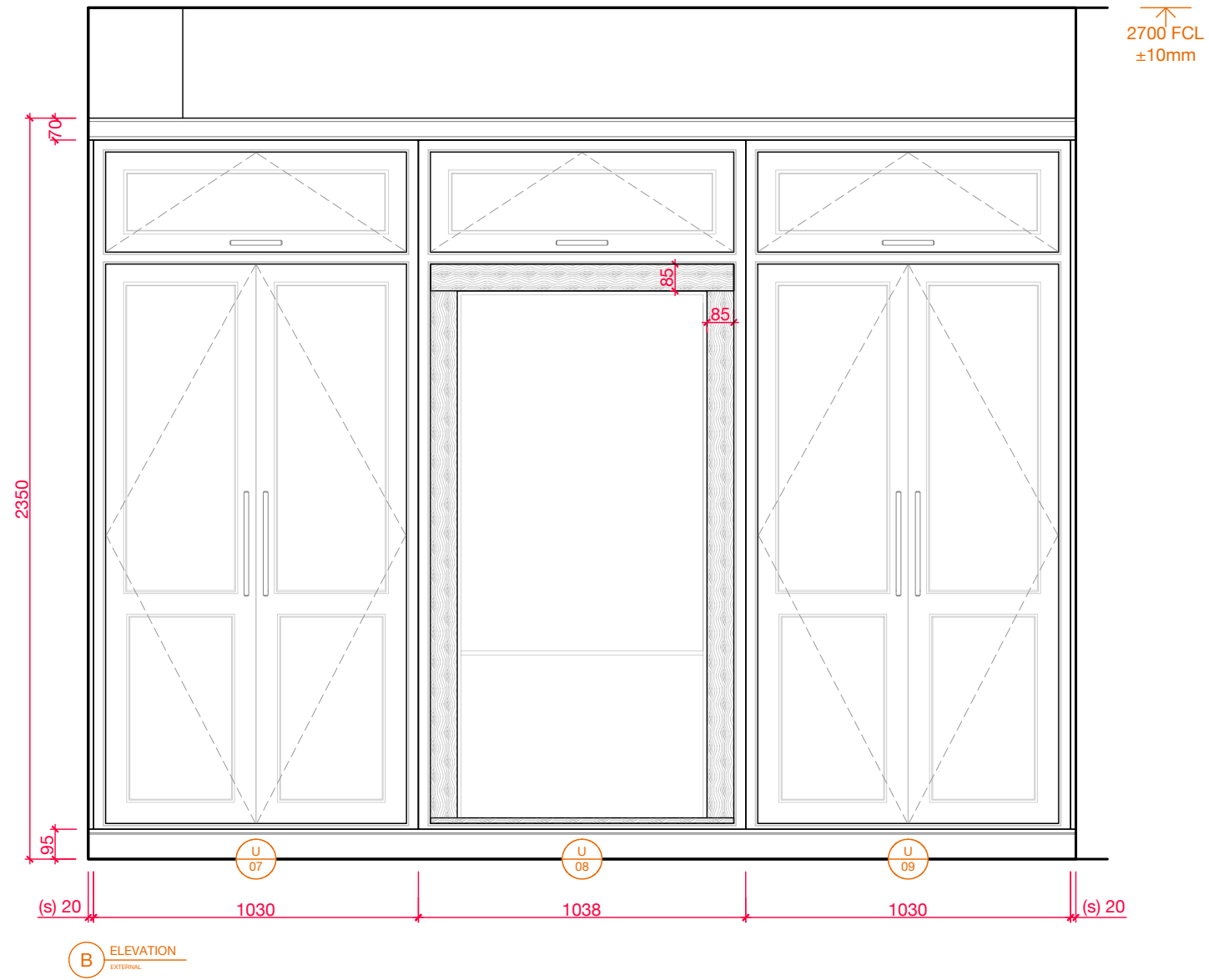
SCALE

A 24.09.2024

REVISION

THE MAIN COMPANY (YORK) LTD  
 YO26 8BQ | 01423 330 451  
 sales@maincompany.com





GENERAL NOTES

- ALL DIMENSIONS ARE IN MILLIMETERS UNLESS NOTED OTHERWISE
- ALL DIMENSIONS ARE SUBJECT TO VERIFICATION ON JOB SITE AND ADJUSTMENT TO FIT JOB CONDITIONS
- THIS IS AN ORIGINAL DESIGN AND MUST NOT BE RELEASED OR COPIED UNLESS APPLICABLE FEE HAS BEEN PAID OR JOB ORDER PLACED

© THE MAIN COMPANY (YORK) LTD

NOTES

- NOT FOR MANUFACTURE
- DESIGN INTENT ONLY

## OXFORD EX DISPLAY

PROJECT

KITCHEN

TITLE

TMC YORKSHORE SHOWROOM

DESIGN FOR

-

DRAWN BY

1:20 @A3

SCALE

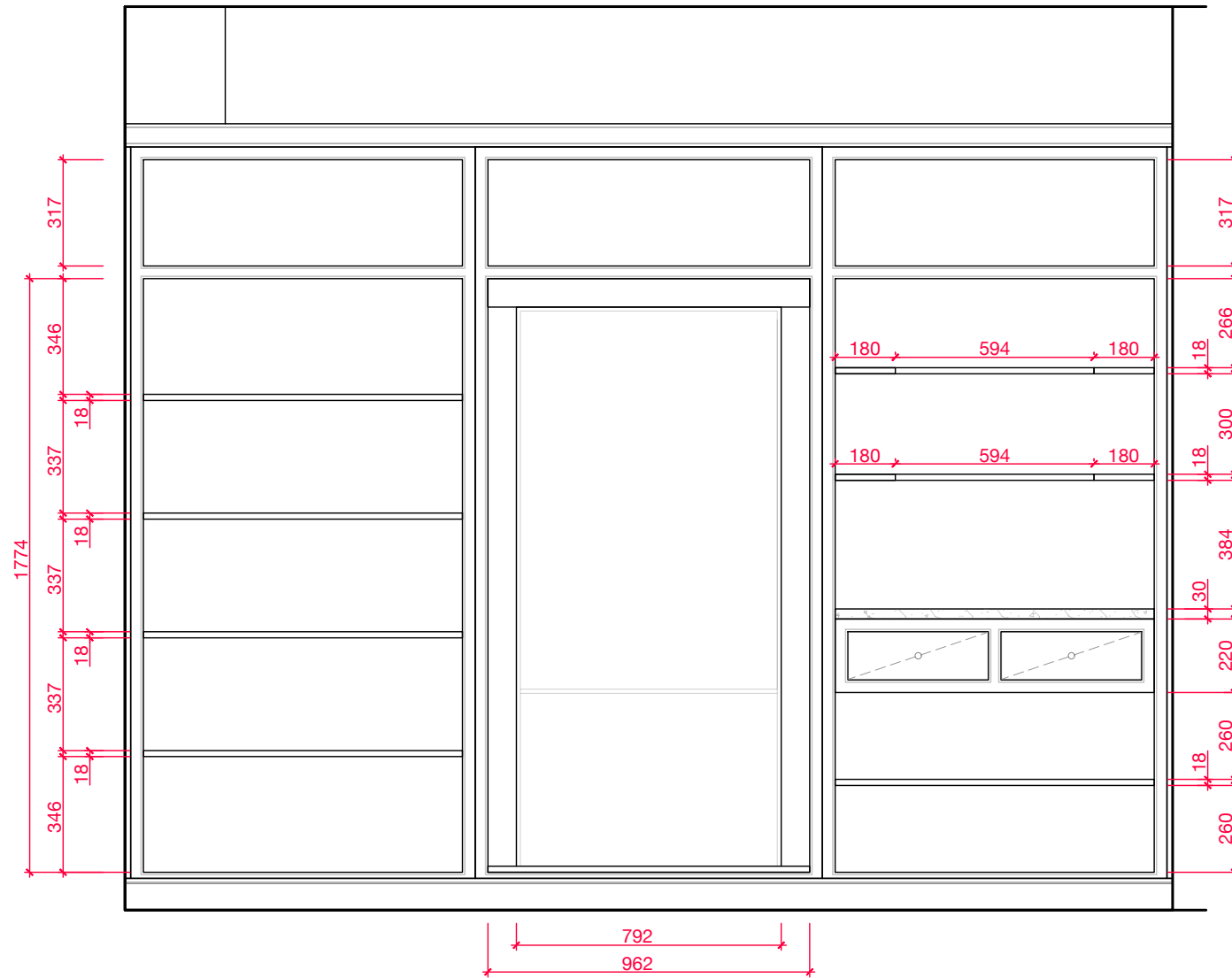
A 24.09.2024

REVISION

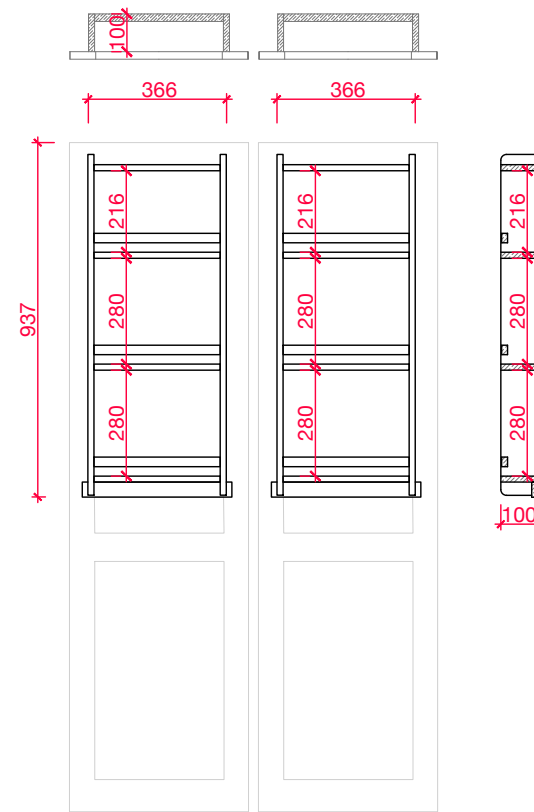
THE MAIN COMPANY (YORK) LTD

YO26 8BQ | 01423 330 451  
sales@maincompany.com





**B** ELEVATION  
INTERNAL



GENERAL NOTES  
 • ALL DIMENSIONS ARE IN MILLIMETERS UNLESS NOTED OTHERWISE  
 • ALL DIMENSIONS ARE SUBJECT TO VERIFICATION ON JOB SITE AND ADJUSTMENT TO FIT JOB CONDITIONS  
 • THIS IS AN ORIGINAL DESIGN AND MUST NOT BE RELEASED OR COPIED UNLESS APPLICABLE FEE HAS BEEN PAID OR JOB ORDER PLACED  
 © THE MAIN COMPANY (YORK) LTD

NOTES  
 - NOT FOR MANUFACTURE  
 - DESIGN INTENT ONLY

## OXFORD EX DISPLAY

PROJECT

KITCHEN

TITLE

TMC YORKSHORE SHOWROOM

DESIGN FOR

DRAWN BY

1:20 @A3

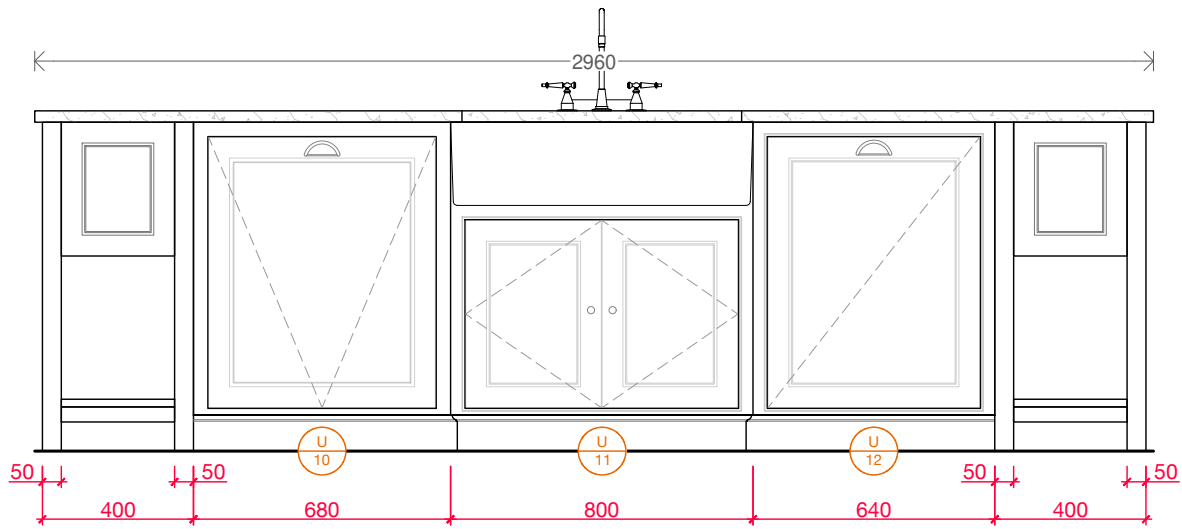
SCALE

A 24.09.2024

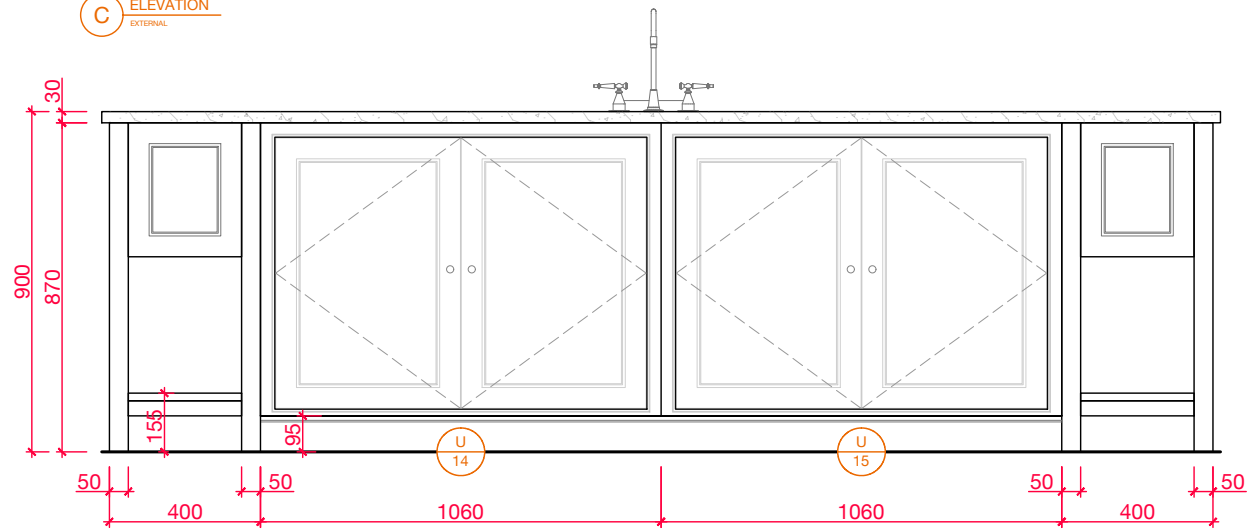
REVISION

THE MAIN COMPANY (YORK) LTD  
 YO26 8BQ | 01423 330 451  
 sales@maincompany.com

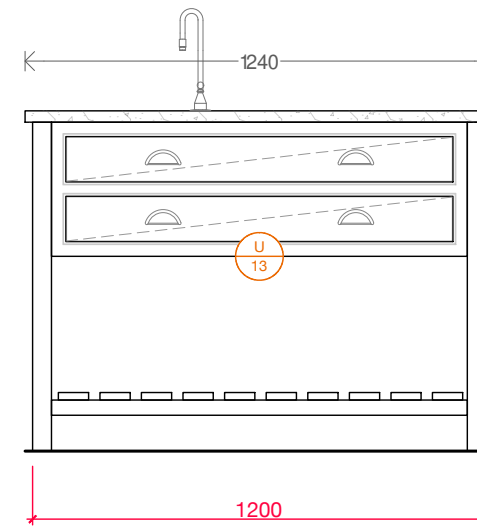
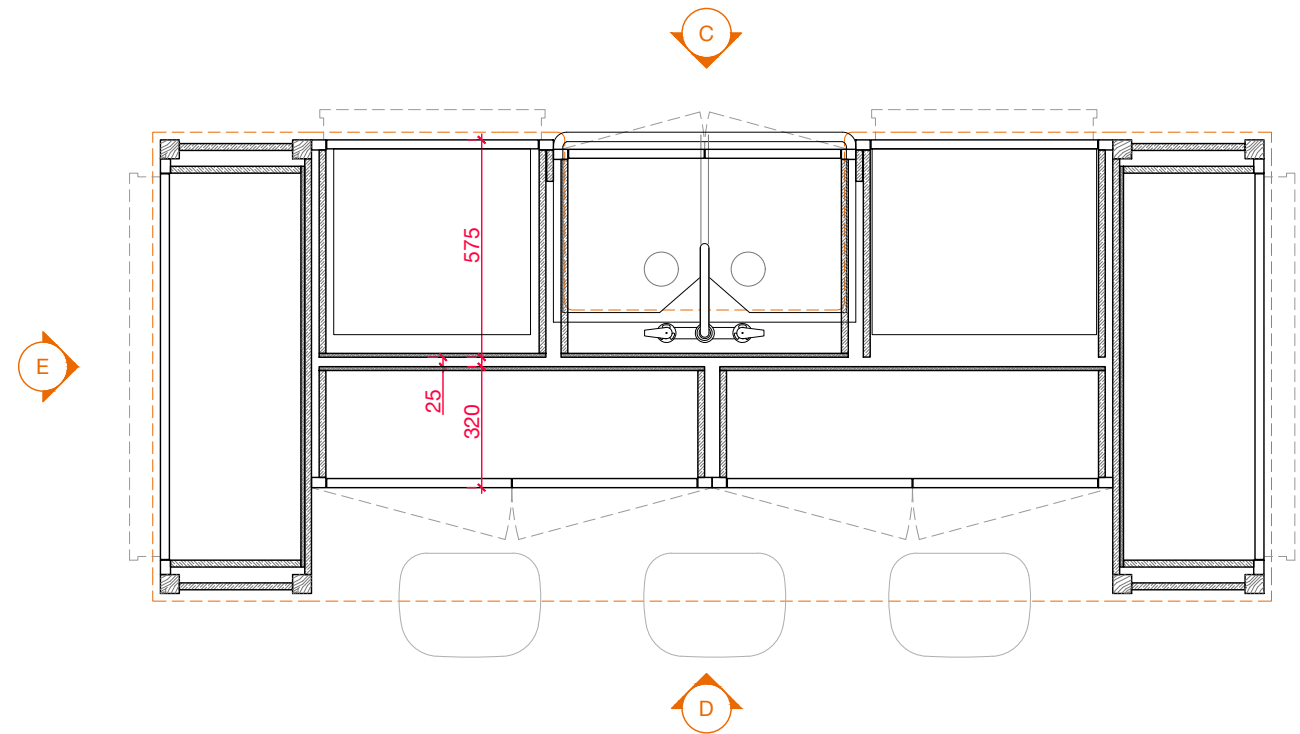




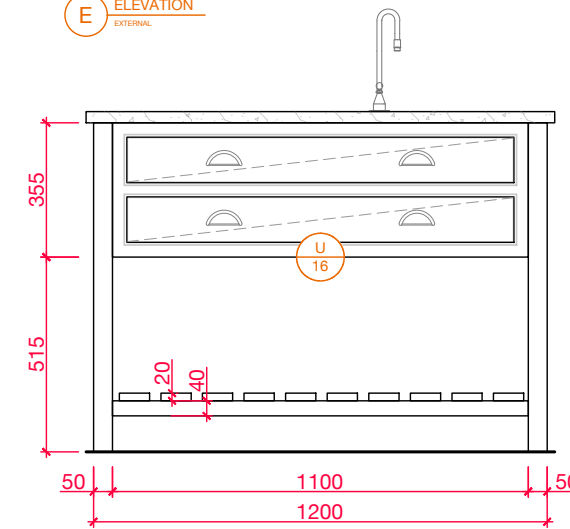
C ELEVATION  
EXTERNAL



D ELEVATION  
EXTERNAL



E ELEVATION  
EXTERNAL



F ELEVATION  
EXTERNAL

GENERAL NOTES  
 • ALL DIMENSIONS ARE IN MILLIMETERS UNLESS NOTED OTHERWISE  
 • ALL DIMENSIONS ARE SUBJECT TO VERIFICATION ON JOB SITE AND ADJUSTMENT TO FIT JOB CONDITIONS  
 • THIS IS AN ORIGINAL DESIGN AND MUST NOT BE RELEASED OR COPIED UNLESS APPLICABLE FEE HAS BEEN PAID OR JOB ORDER PLACED  
 © THE MAIN COMPANY (YORK) LTD

NOTES  
 - NOT FOR MANUFACTURE  
 - DESIGN INTENT ONLY

OXFORD EX  
 DISPLAY

PROJECT

KITCHEN  
 TITLE

TMC YORKSHORE  
 SHOWROOM  
 DESIGN FOR

DRAWN BY

1:20 @A3

SCALE

A 24.09.2024

REVISION

THE MAIN COMPANY  
 (YORK) LTD  
 YO26 8BQ | 01423 330 451  
 sales@maincompany.com

