

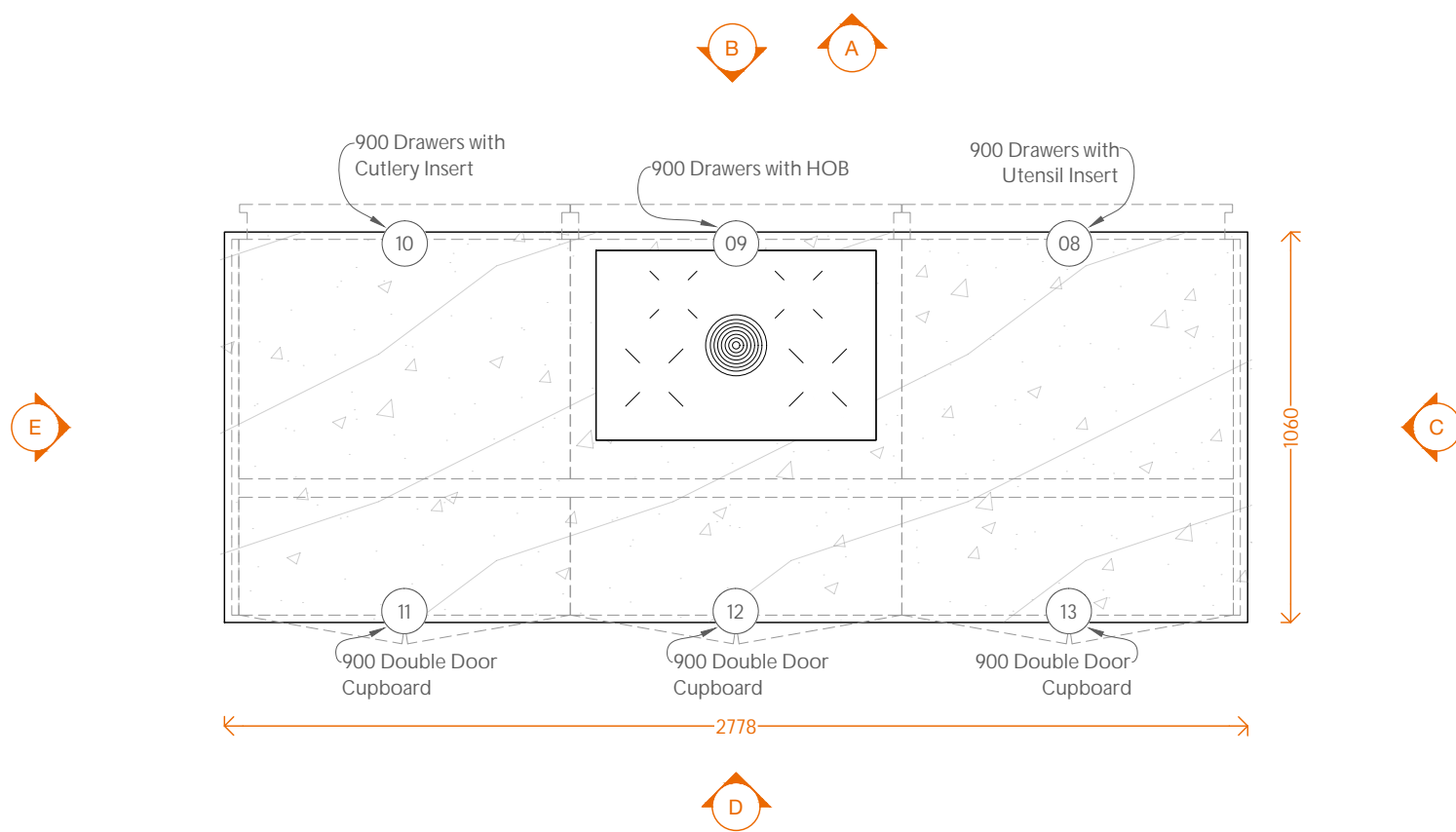
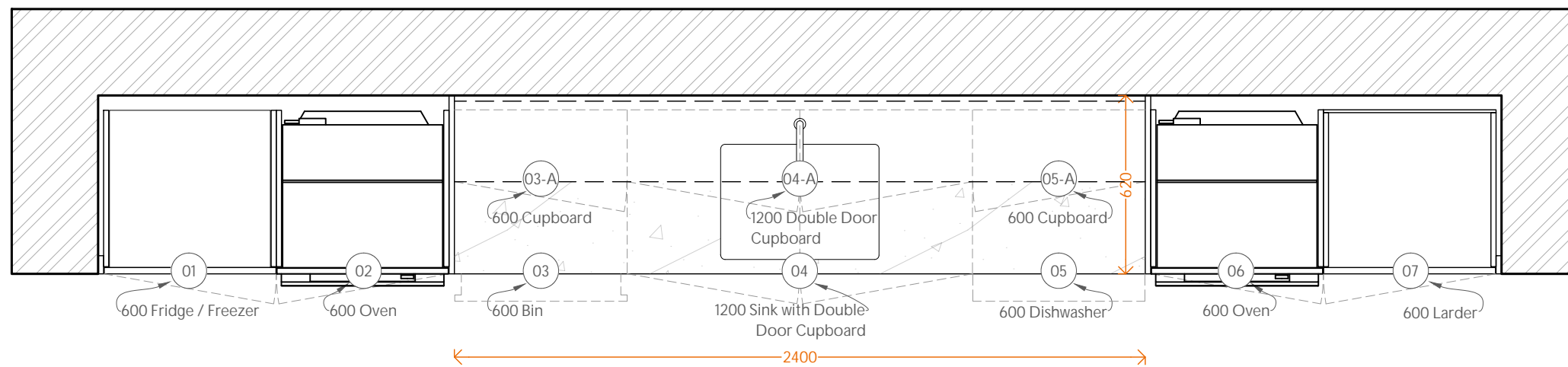
GENERAL NOTES

- ALL DIMENSIONS ARE IN MILLIMETERS UNLESS NOTED OTHERWISE
- ALL DIMENSIONS ARE SUBJECT TO VERIFICATION ON JOB SITE AND ADJUSTMENT TO FIT JOB CONDITIONS
- THIS IS AN ORIGINAL DESIGN AND MUST NOT BE RELEASED OR COPIED UNLESS APPLICABLE FEE HAS BEEN PAID OR JOB ORDER PLACED

© THE MAIN COMPANY (YORK) LTD

NOTES

- NOT FOR MANUFACTURE
- DESIGN INTENT ONLY



1 PLAN
EXTERNAL

White Oiled Oak
Kitchen

PROJECT

OPTION 7: PLAN
TITLE

DESIGN FOR
CHRISTIAN ESTIMÉ
DRAWN BY

1:20 @A3
SCALE

B 27.02.2024
REVISION

THE MAIN COMPANY
(YORK) LTD
YO26 8BQ | 01423 330 451
sales@maincompany.com



GENERAL NOTES

- ALL DIMENSIONS ARE IN MILLIMETERS UNLESS NOTED OTHERWISE
- ALL DIMENSIONS ARE SUBJECT TO VERIFICATION ON JOB SITE AND ADJUSTMENT TO FIT JOB CONDITIONS
- THIS IS AN ORIGINAL DESIGN AND MUST NOT BE RELEASED OR COPIED UNLESS APPLICABLE FEE HAS BEEN PAID OR JOB ORDER PLACED

© THE MAIN COMPANY (YORK) LTD

NOTES

- NOT FOR MANUFACTURE
- DESIGN INTENT ONLY

White Oiled Oak Kitchen

PROJECT

OPTION 7: MAIN RUN

TITLE

DESIGN FOR

CHRISTIAN ESTIMÉ

DRAWN BY

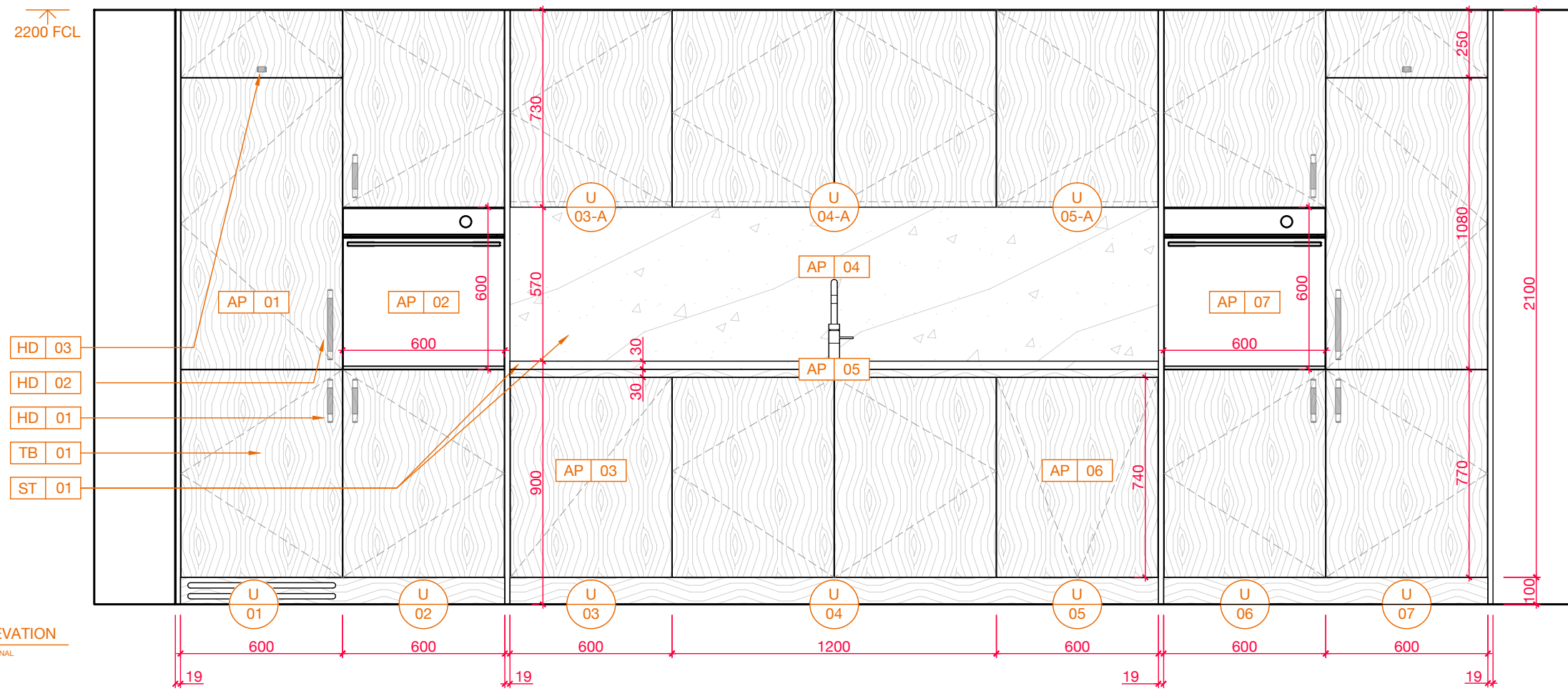
1:20 @A3

SCALE

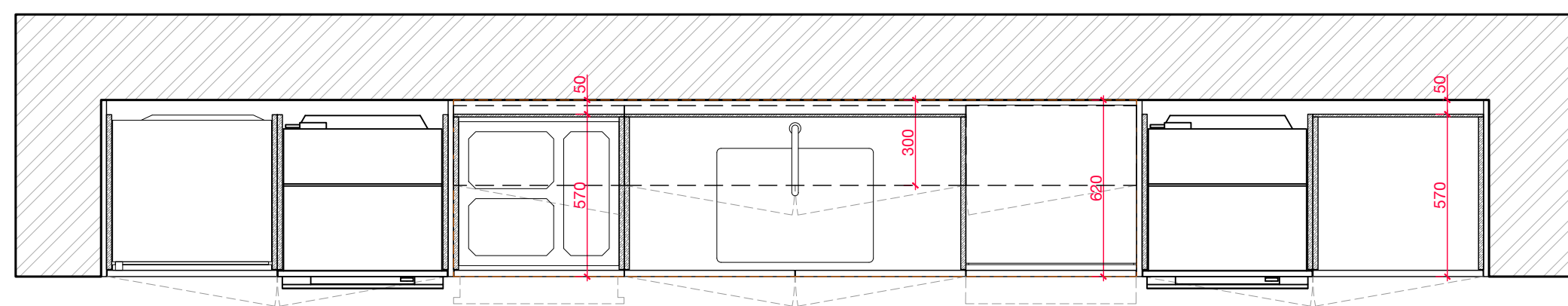
B 27.02.2024

REVISION

THE MAIN COMPANY (YORK) LTD
 YO26 8BQ | 01423 330 451
 sales@maincompany.com



A ELEVATION EXTERNAL



1-A PLAN EXTERNAL



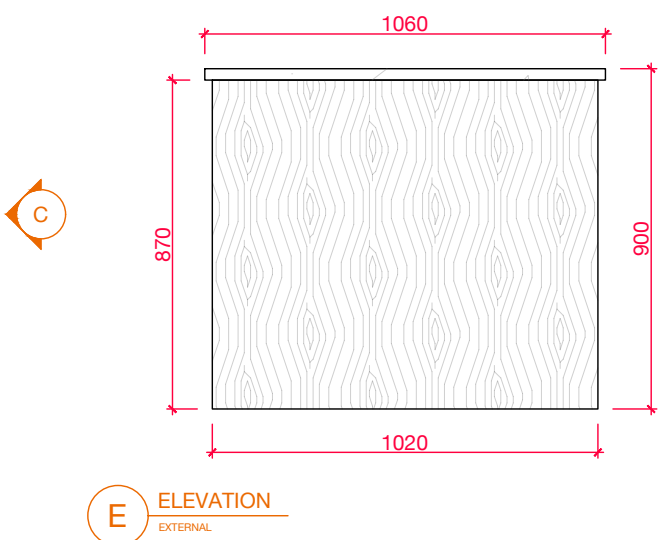
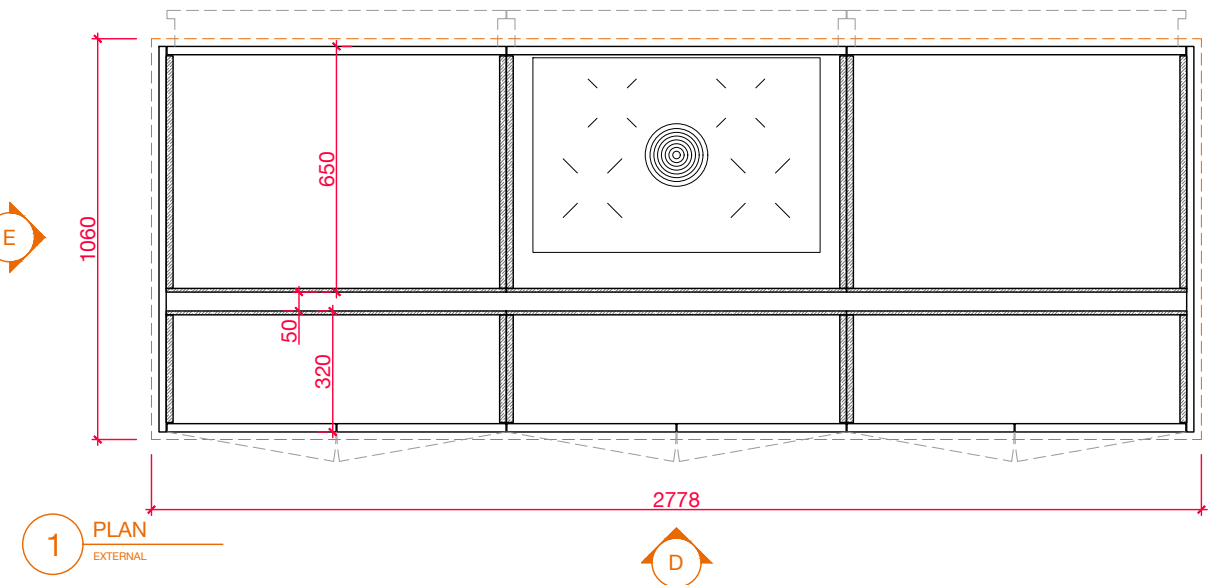
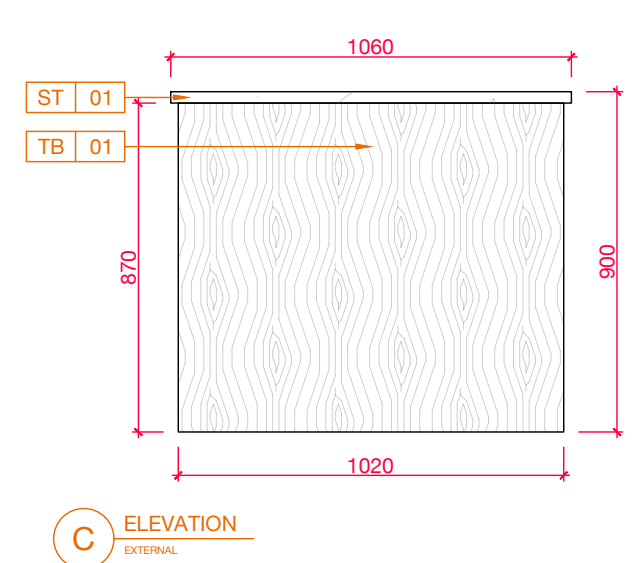
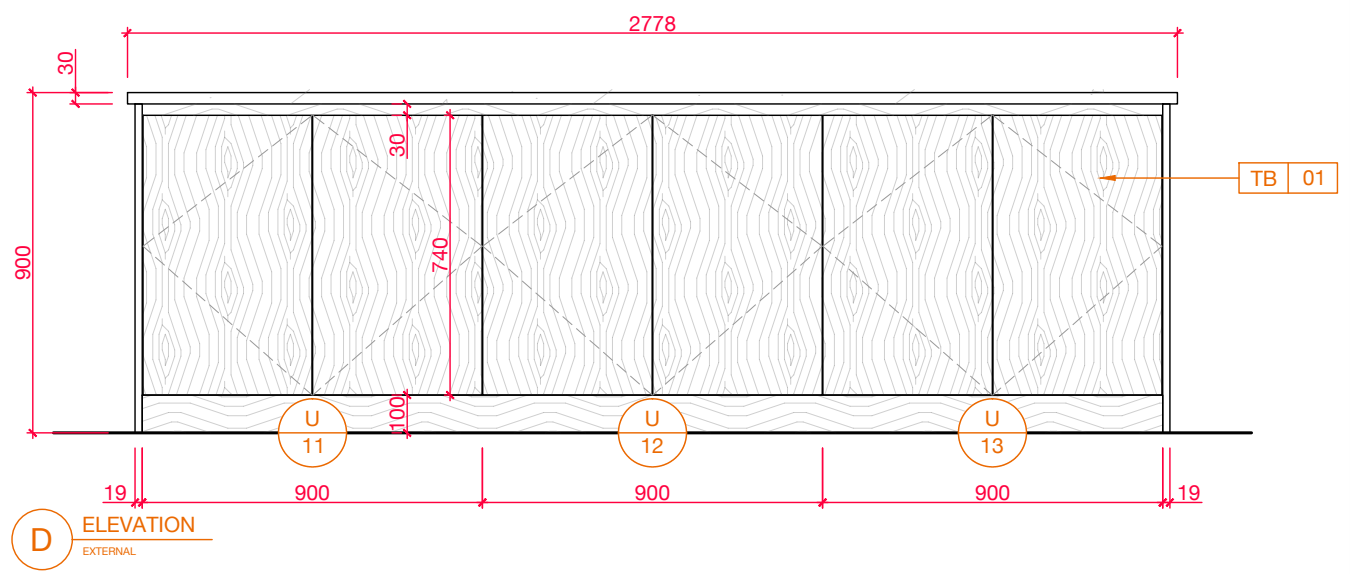
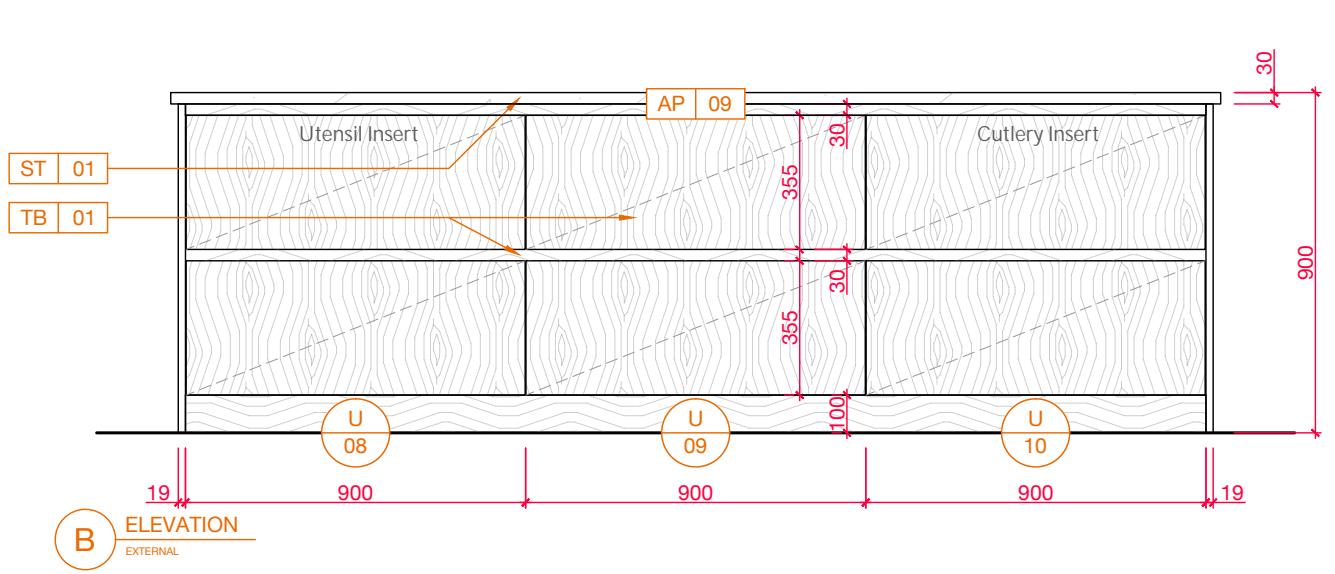
GENERAL NOTES

- ALL DIMENSIONS ARE IN MILLIMETERS UNLESS NOTED OTHERWISE
- ALL DIMENSIONS ARE SUBJECT TO VERIFICATION ON JOB SITE AND ADJUSTMENT TO FIT JOB CONDITIONS
- THIS IS AN ORIGINAL DESIGN AND MUST NOT BE RELEASED OR COPIED UNLESS APPLICABLE FEE HAS BEEN PAID OR JOB ORDER PLACED

© THE MAIN COMPANY (YORK) LTD

NOTES

- NOT FOR MANUFACTURE
- DESIGN INTENT ONLY



White Oiled Oak Kitchen

PROJECT

OPTION 7: ISLAND

TITLE

DESIGN FOR

CHRISTIAN ESTIMÉ

DRAWN BY

1:20 @A3

SCALE

B 27.02.2024

REVISION

THE MAIN COMPANY (YORK) LTD
 YO26 8BQ | 01423 330 451
 sales@maincompany.com

