

GENERAL NOTES

- ALL DIMENSIONS ARE IN MILLIMETERS UNLESS NOTED OTHERWISE
- ALL DIMENSIONS ARE SUBJECT TO VERIFICATION ON JOB SITE AND ADJUSTMENT TO FIT JOB CONDITIONS
- THIS IS AN ORIGINAL DESIGN AND MUST NOT BE RELEASED OR COPIED UNLESS APPLICABLE FEE HAS BEEN PAID OR JOB ORDER PLACED

© THE MAIN COMPANY (YORK) LTD

NOTES

- NOT FOR MANUFACTURE  
- DESIGN INTENT ONLY

## NOVA KITCHEN

PROJECT

KITCHEN  
TITLE

MAIN COMPANY  
DESIGN FOR

LAUREN STRONG  
DRAWN BY

1:30 @A3  
SCALE

C 29.06.2023  
REVISION

THE MAIN COMPANY (YORK) LTD  
YO26 8BQ | 01423 330 451  
sales@maincompany.com



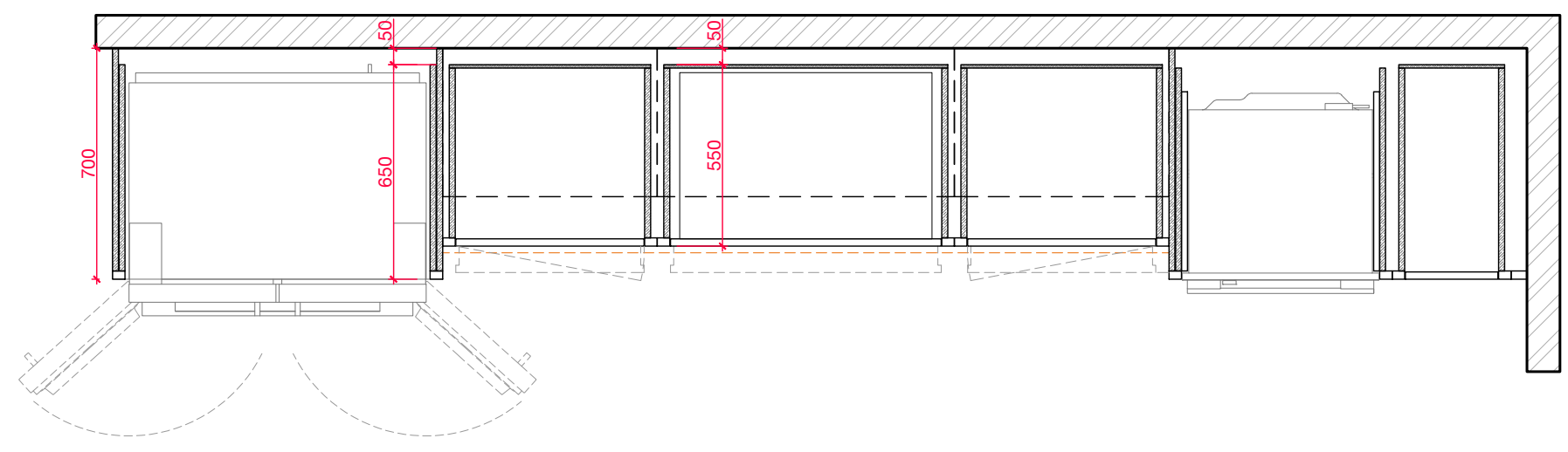
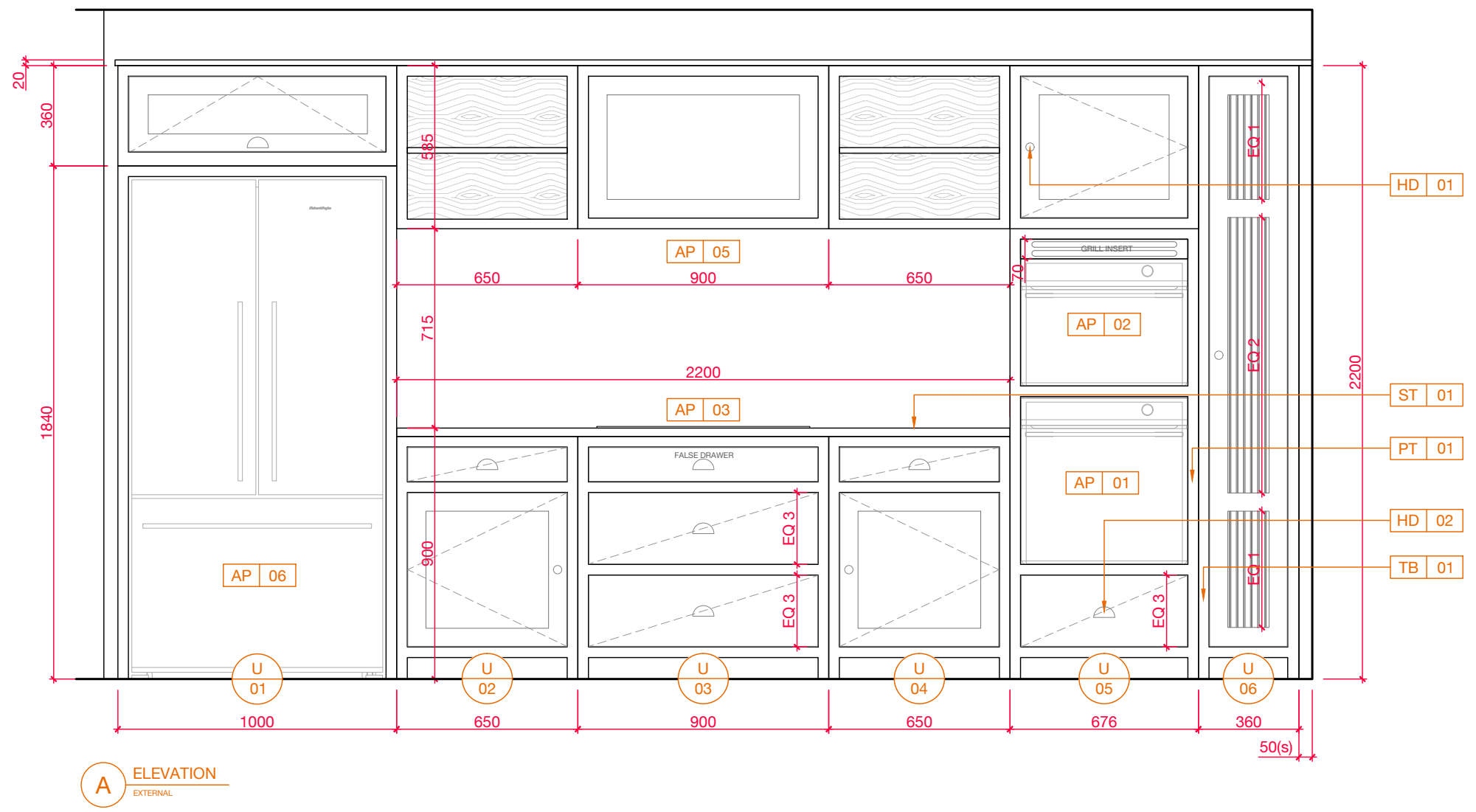
GENERAL NOTES

- ALL DIMENSIONS ARE IN MILLIMETERS UNLESS NOTED OTHERWISE
- ALL DIMENSIONS ARE SUBJECT TO VERIFICATION ON JOB SITE AND ADJUSTMENT TO FIT JOB CONDITIONS
- THIS IS AN ORIGINAL DESIGN AND MUST NOT BE RELEASED OR COPIED UNLESS APPLICABLE FEE HAS BEEN PAID OR JOB ORDER PLACED

© THE MAIN COMPANY (YORK) LTD

NOTES

- NOT FOR MANUFACTURE
- DESIGN INTENT ONLY



**NOVA KITCHEN**

PROJECT

KITCHEN  
TITLE

MAIN COMPANY  
DESIGN FOR

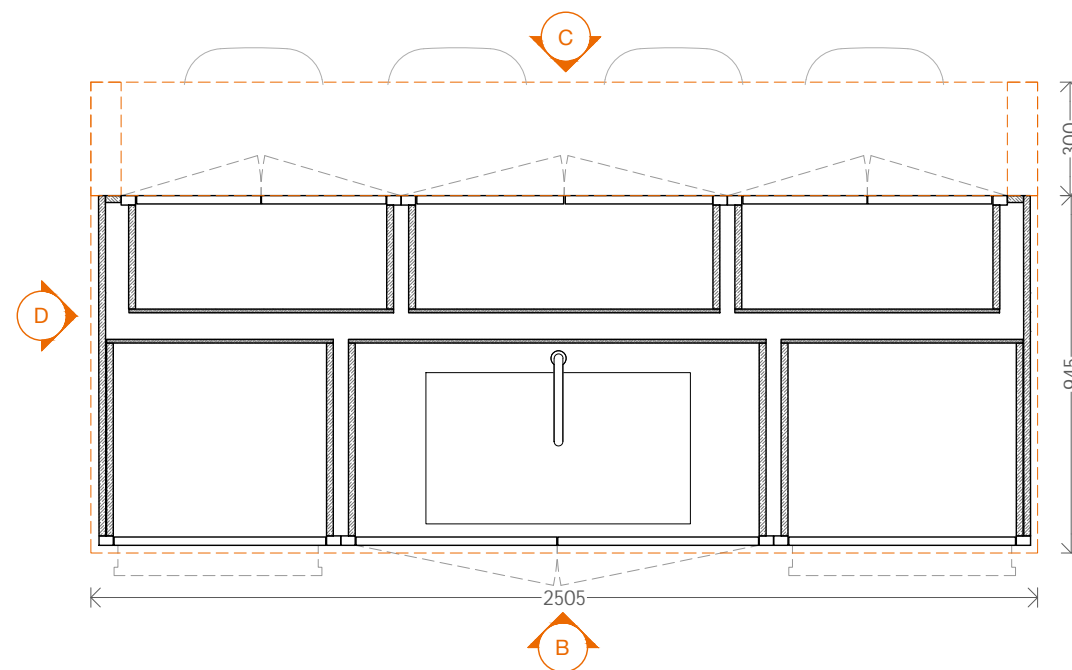
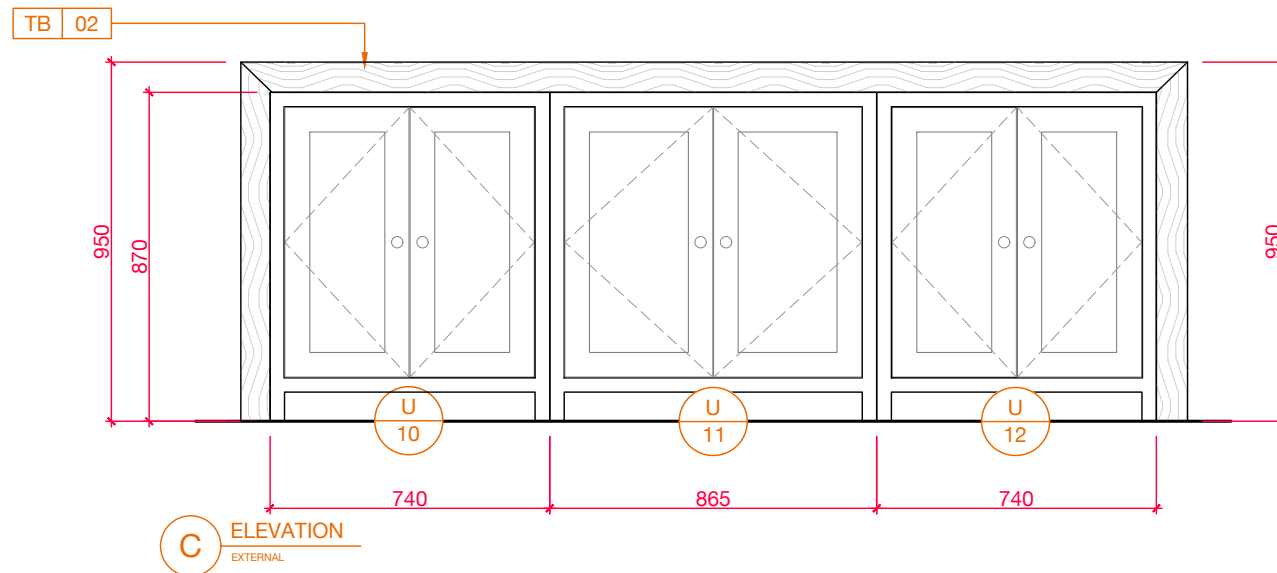
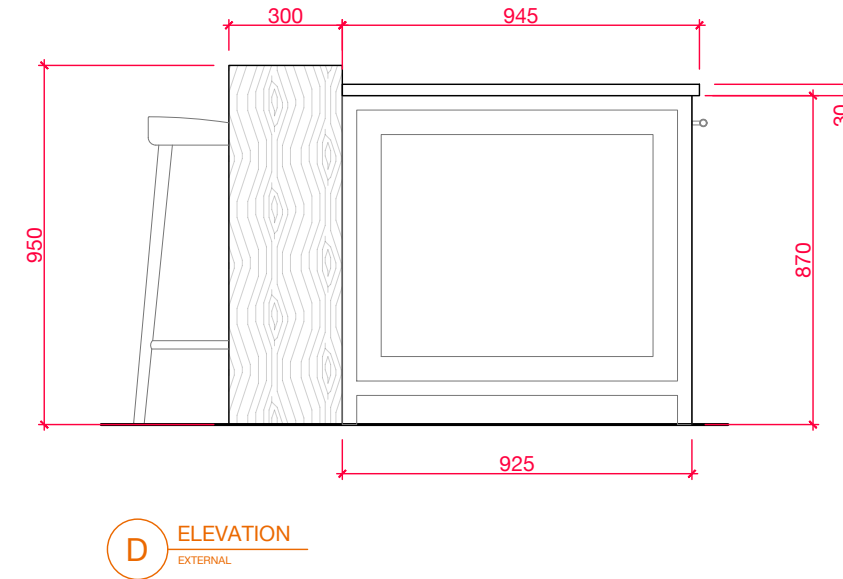
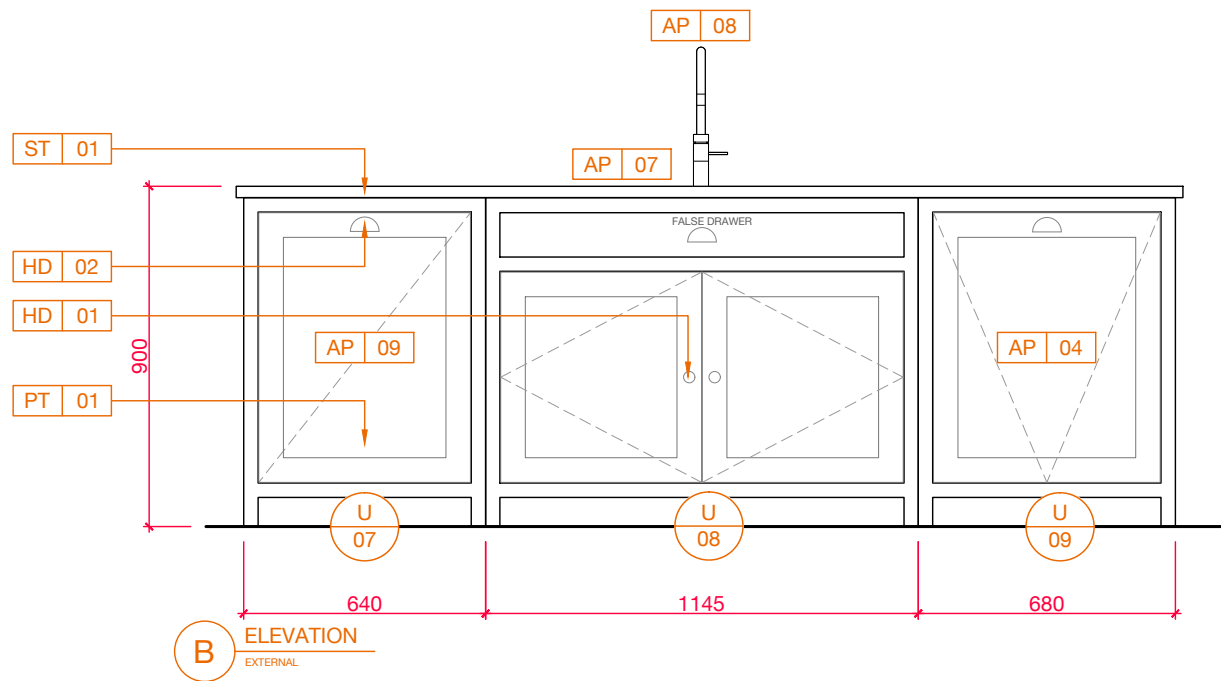
LAUREN STRONG  
DRAWN BY

1:20 @A3  
SCALE

C 29.06.2023  
REVISION

THE MAIN COMPANY (YORK) LTD  
 YO26 8BQ | 01423 330 451  
 sales@maincompany.com





GENERAL NOTES

- ALL DIMENSIONS ARE IN MILLIMETERS UNLESS NOTED OTHERWISE
- ALL DIMENSIONS ARE SUBJECT TO VERIFICATION ON JOB SITE AND ADJUSTMENT TO FIT JOB CONDITIONS
- THIS IS AN ORIGINAL DESIGN AND MUST NOT BE RELEASED OR COPIED UNLESS APPLICABLE FEE HAS BEEN PAID OR JOB ORDER PLACED

© THE MAIN COMPANY (YORK) LTD

NOTES

- NOT FOR MANUFACTURE
- DESIGN INTENT ONLY

# NOVA KITCHEN

PROJECT

KITCHEN  
TITLE

MAIN COMPANY  
DESIGN FOR

LAUREN STRONG  
DRAWN BY

1:20 @A3

SCALE

**C** 29.06.2023

REVISION

THE MAIN COMPANY  
(YORK) LTD

YO26 8BQ | 01423 330 451  
sales@maincompany.com

