

GENERAL NOTES

- ALL DIMENSIONS ARE IN MILLIMETERS UNLESS NOTED OTHERWISE.
- ALL DIMENSIONS ARE SUBJECT TO VERIFICATION ON JOB SITE AND ADJUSTMENT TO FIT JOB CONDITIONS.
- THIS IS AN ORIGINAL DESIGN AND MUST NOT BE RELEASED OR COPIED UNLESS APPLICABLE FEE HAS BEEN PAID OR JOB ORDER PLACED.

© THE MAIN COMPANY (YORK) LTD.

NOTES

-

SLIDING BARN DOOR

PROJECT

OVERALL

TITLE

DESIGN FOR

TIAGO CARVALHO

DRAWN BY

1:4 @A3

SCALE

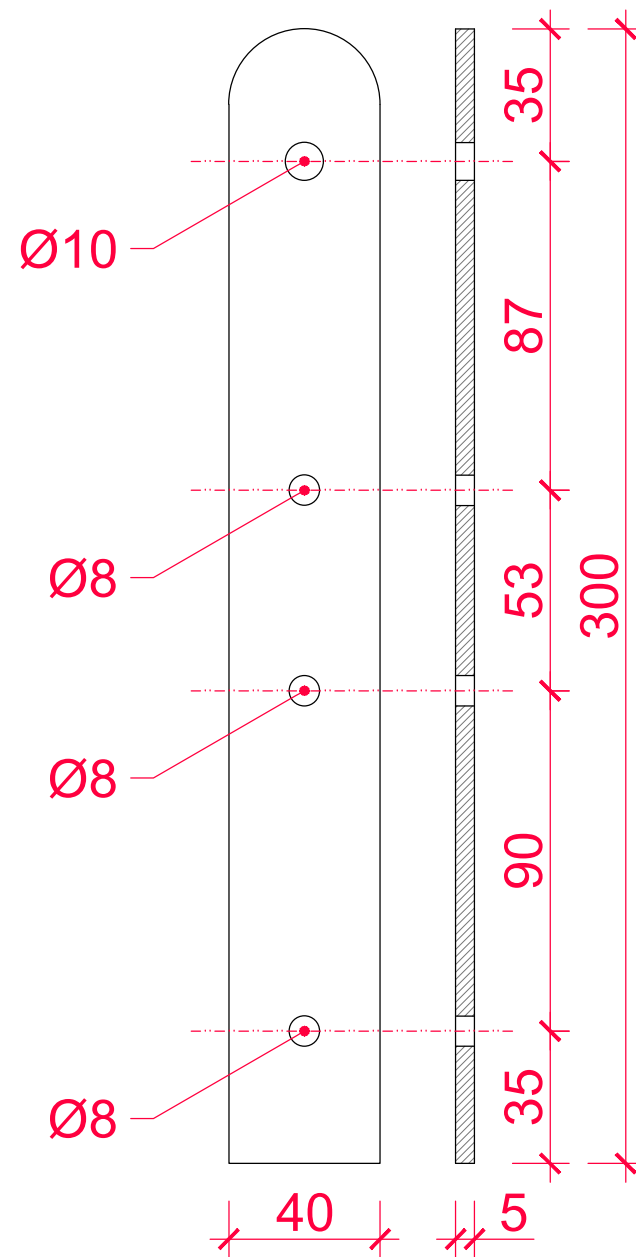
25.02.2021

DATE

THE MAIN COMPANY (YORK) LTD

The Green, Green Hammerton
York, North Yorkshire
YO26 8BQ
01423 330451
sales@maincompany.com





GENERAL NOTES

- ALL DIMENSIONS ARE IN MILLIMETERS UNLESS NOTED OTHERWISE.
- ALL DIMENSIONS ARE SUBJECT TO VERIFICATION ON JOB SITE AND ADJUSTMENT TO FIT JOB CONDITIONS.
- THIS IS AN ORIGINAL DESIGN AND MUST NOT BE RELEASED OR COPIED UNLESS APPLICABLE FEE HAS BEEN PAID OR JOB ORDER PLACED.

© THE MAIN COMPANY (YORK) LTD.

NOTES

-

SLIDING BARN DOOR

PROJECT

BAR

TITLE

DESIGN FOR

TIAGO CARVALHO

DRAWN BY

1:2 @A3

SCALE

25.02.2021

DATE

THE MAIN COMPANY
(YORK) LTD

The Green, Green Hammerton
York, North Yorkshire
YO26 8BQ
01423 330451
sales@maincompany.com

